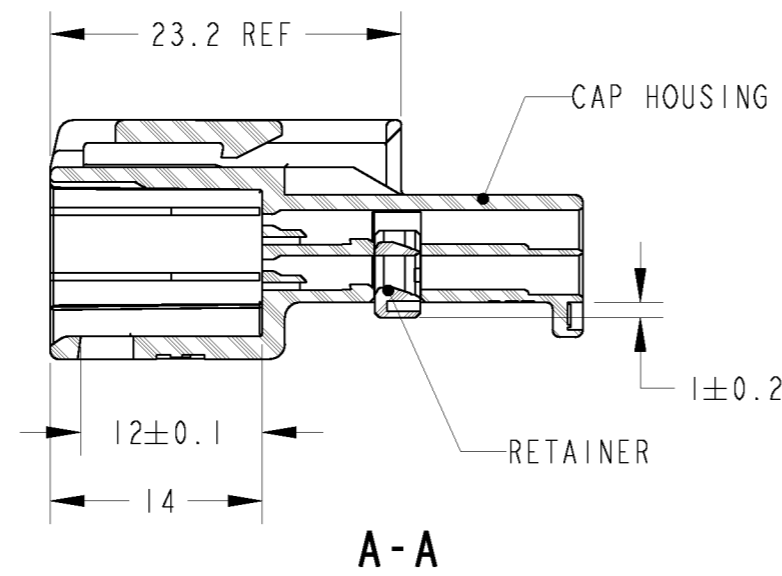
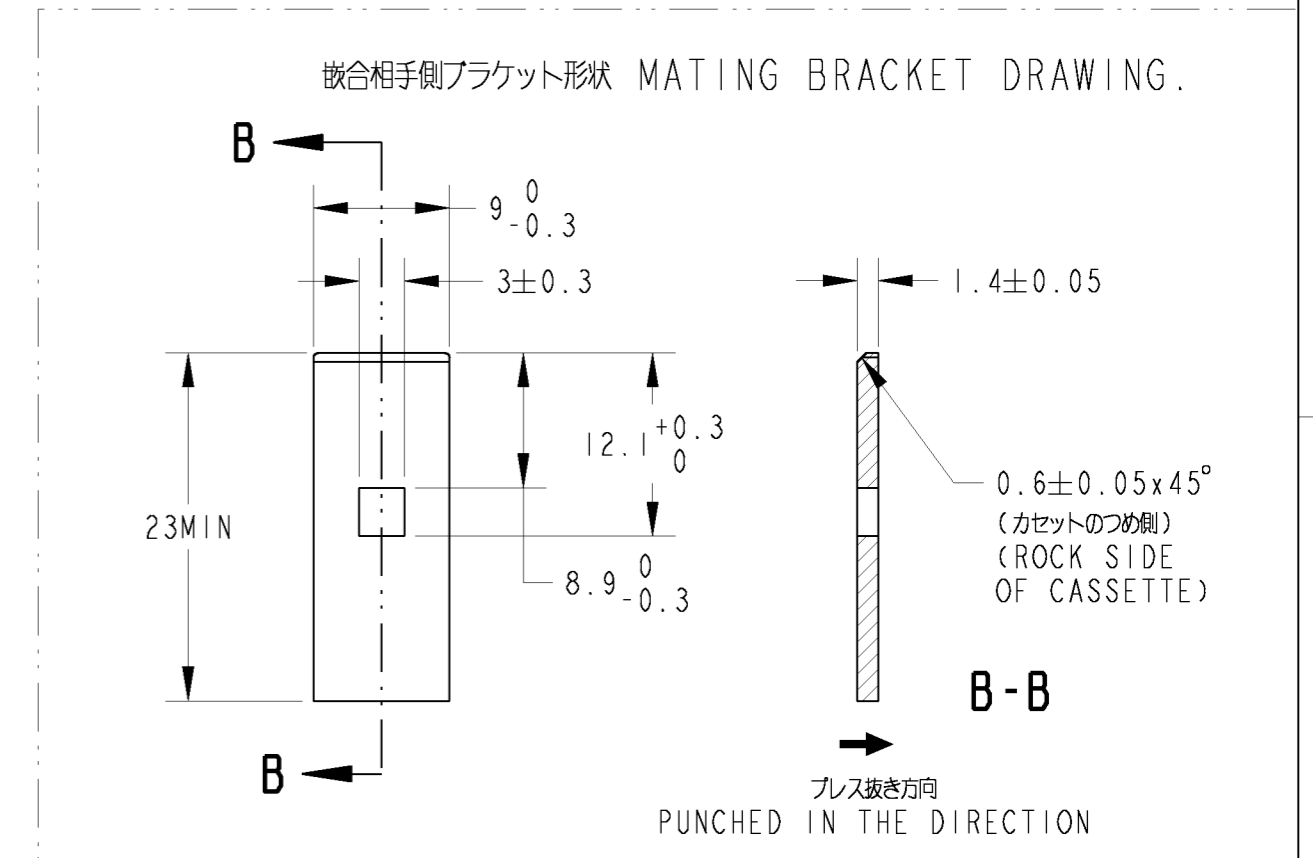
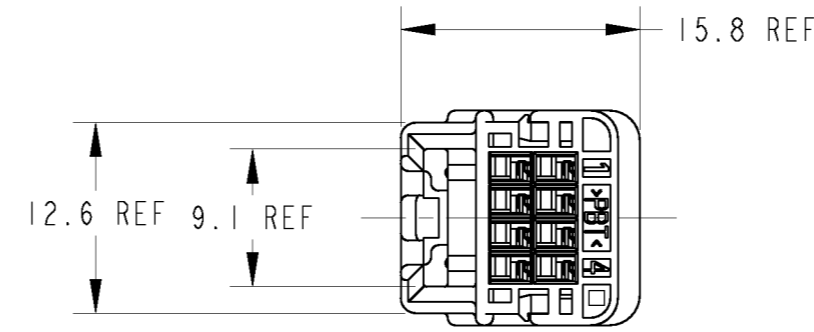
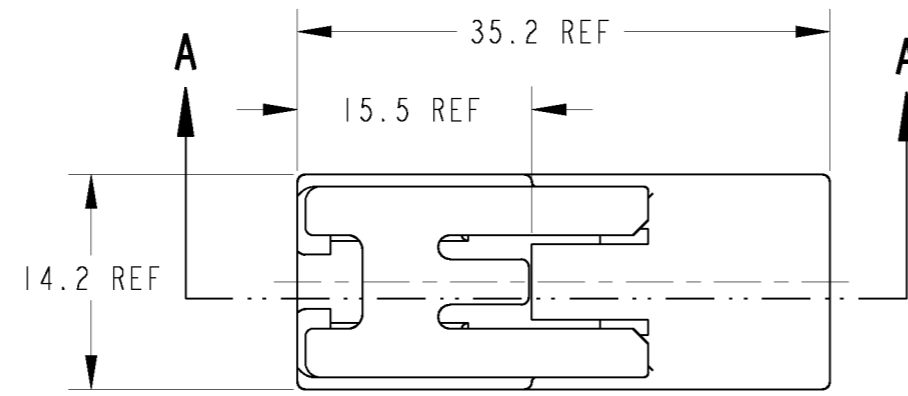
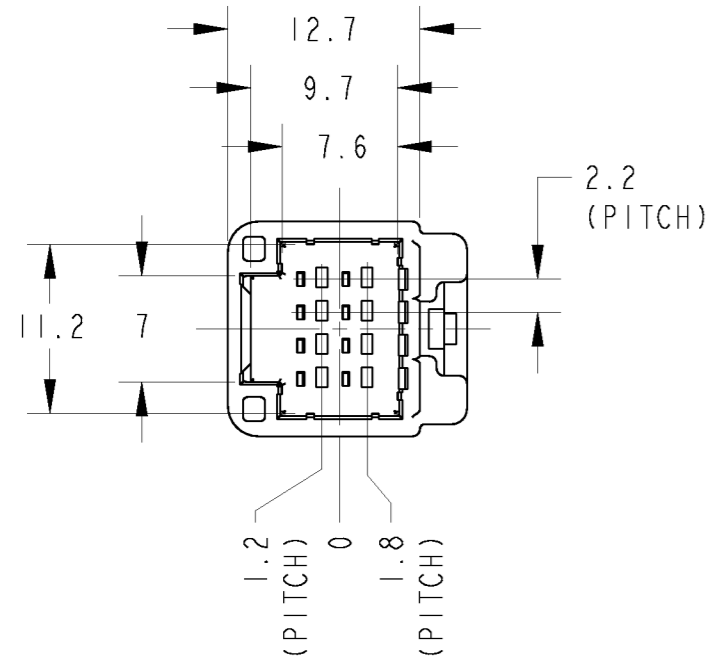
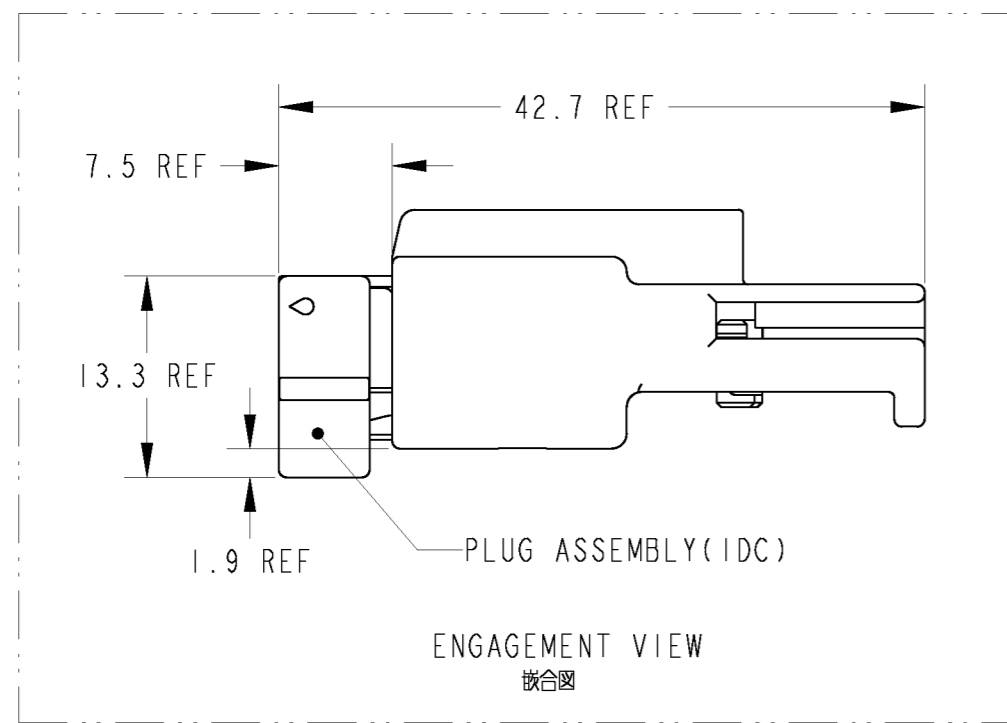


THIS DRAWING IS UNPUBLISHED. RELEASED FOR PUBLICATION 20  
 (C) COPYRIGHT 20 ALL RIGHTS RESERVED.

LOC	DIST	REVISIONS					
		P	LTR	DESCRIPTION	DATE	DWN	APVD
J	-	P		REVISED PER ECO-11-005140	09APR2011	RK	HMR



1. キャップハウジングにダブルロックプレートを取付して出荷される。
  2. 適用端子型番; 1376109, 1473818, 1565406
  3. 取扱説明書; 411-5996
  4. 嵌合相手型番; 1473800 & 1473802 (IDC) 1376352
1. PLATE SHOULD BE SET TO THE PRE-ASSEMBLY POSITION WITHIN THE CAP HOUSING WHEN SHIPPED TO THE CUSTOMER
  2. APPLIED TERMINAL; 1376109, 1473818, 1565406
  3. INSTRUCTION SHEET No; 411-5996
  4. PART NUMBER OF PLUG HOUSING TO BE MATED; 1473800 & 1473802 (IDC), 1376352



PAPER BOX ダンボール	PLASTIC BAG ビニール袋	NATURAL	1473793-1
OUTER 外装	INNER 内装	COLOR	PART NUMBER
PACKING STYLE 梱包形態			

THIS DRAWING IS A CONTROLLED DOCUMENT.		DWN S. AMEMIYA	16OCT01	TE Connectivity <b>8 POSITION CAP ASSEMBLY</b> <b>025 IDC CONNECTOR</b>		
DIMENSIONS: 単位: 英 mm		CHK N. SAI	16OCT01			NAME 名
TOLERANCES UNLESS OTHERWISE SPECIFIED: 一般公差: ±0.3 0-PLC ± 1-PLC ±0.3 2-PLC ±0.10 3-PLC ±0.001 4-PLC ±0.0001 ANGLES ±3°00' FINISH 仕上		APVD N. SAI	16OCT01			RESTRICTED TO
MATERIAL 材料 PBT		PRODUCT SPEC 製造規格 108-5660	APPLICATION SPEC 取付適用規格 114-5276, 114-5291			SIZE A2
SEE TABLE		WEIGHT 3.6	CAGE CODE 00779	DRAWING NO. C-1473793	SCALE 2:1	
CUSTOMER DRAWING		SHEET 1 OF 1		REV P		