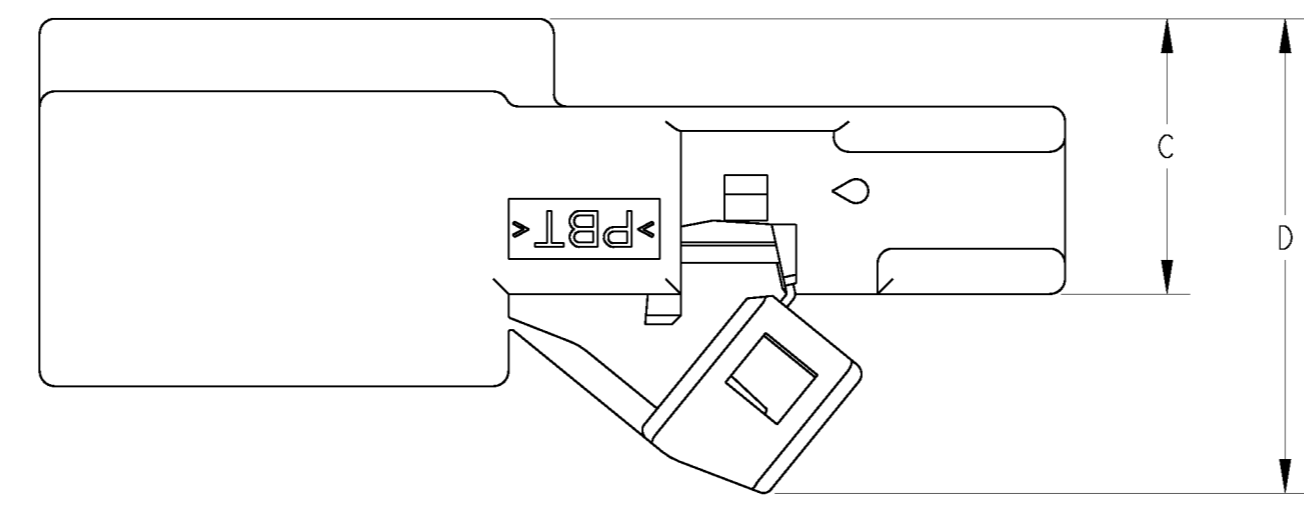
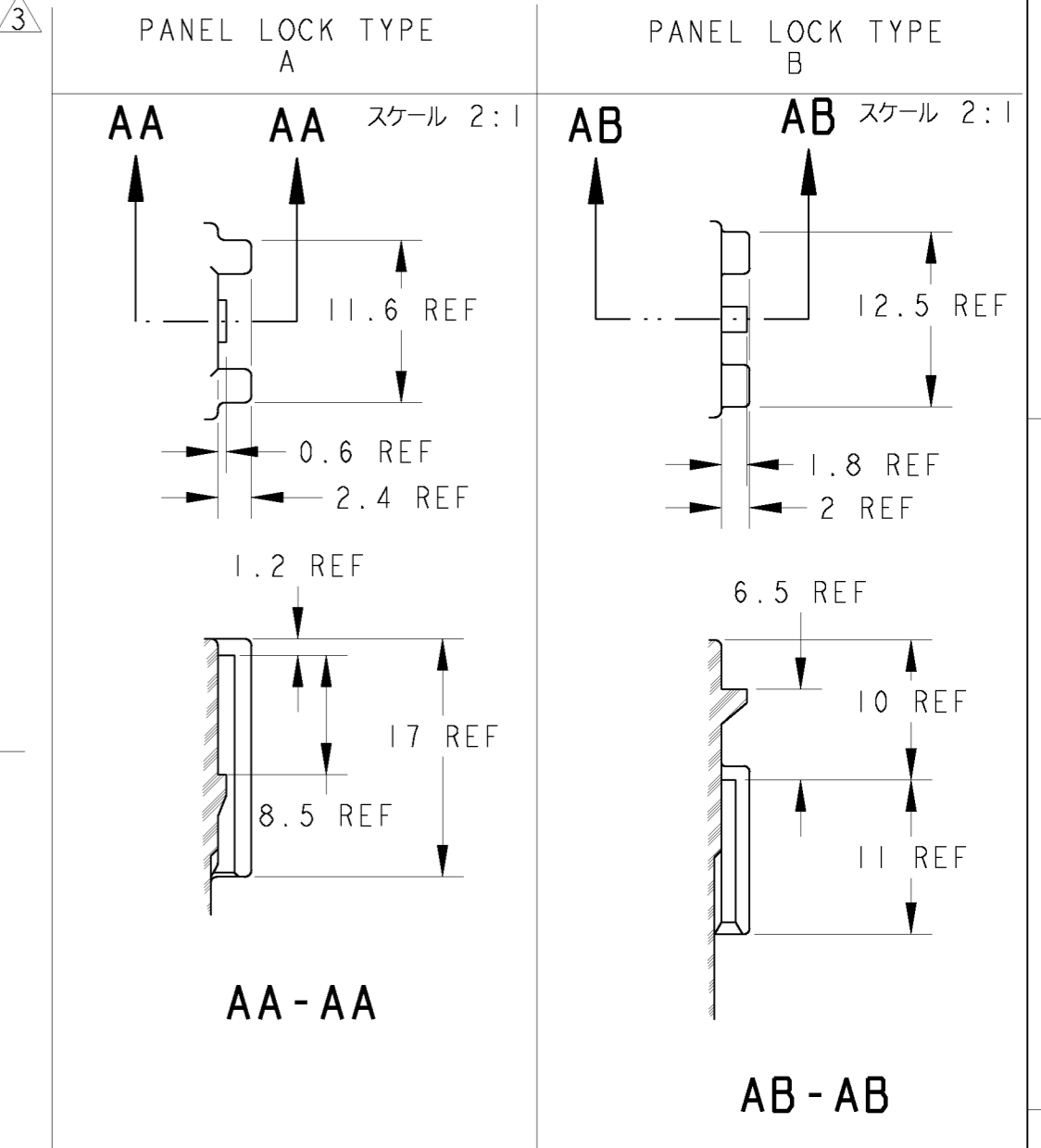
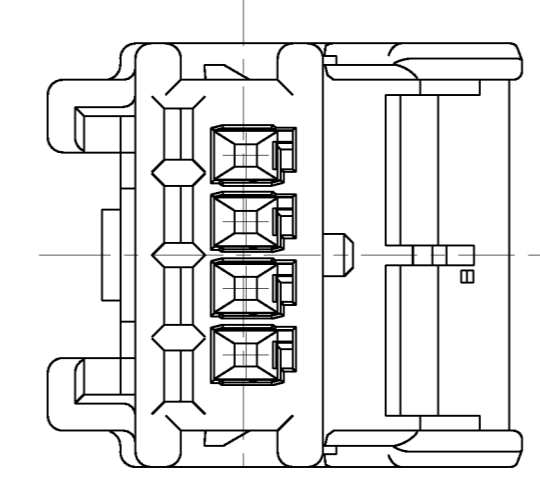
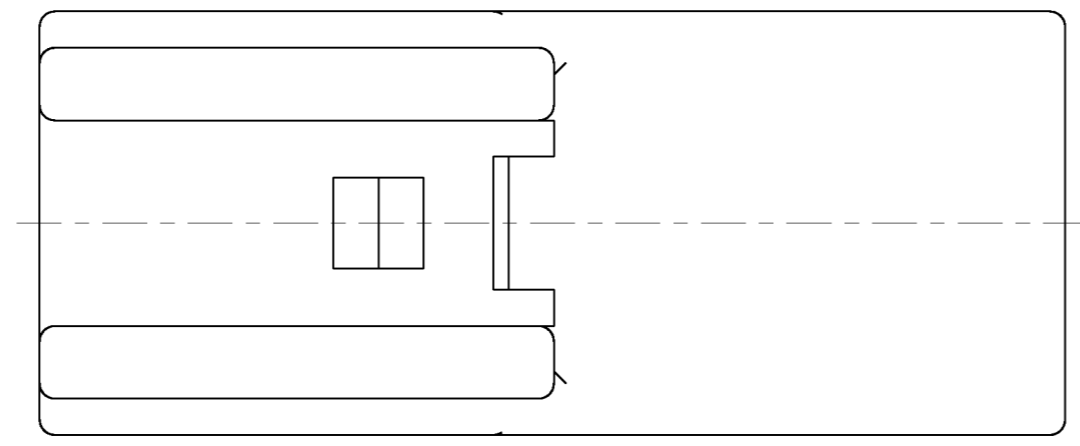
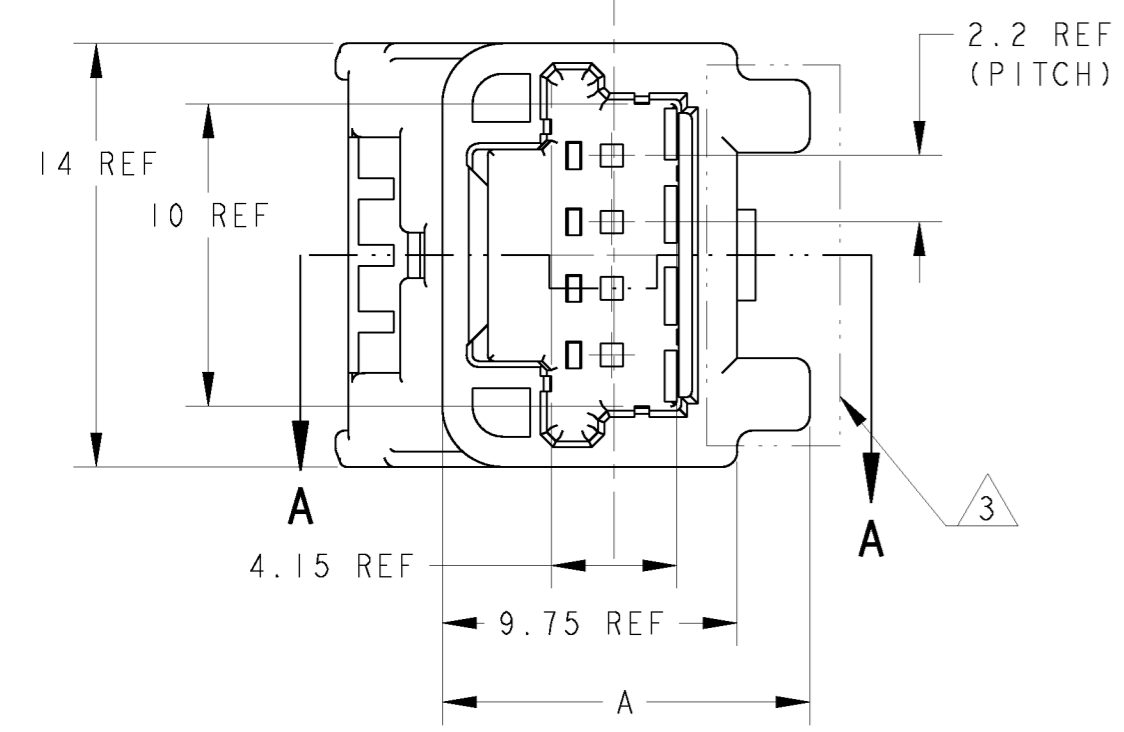
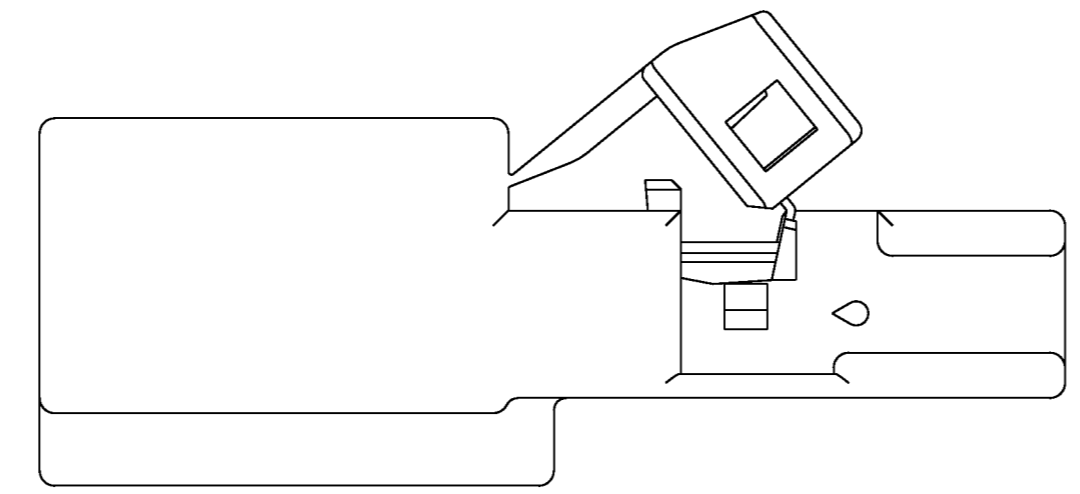
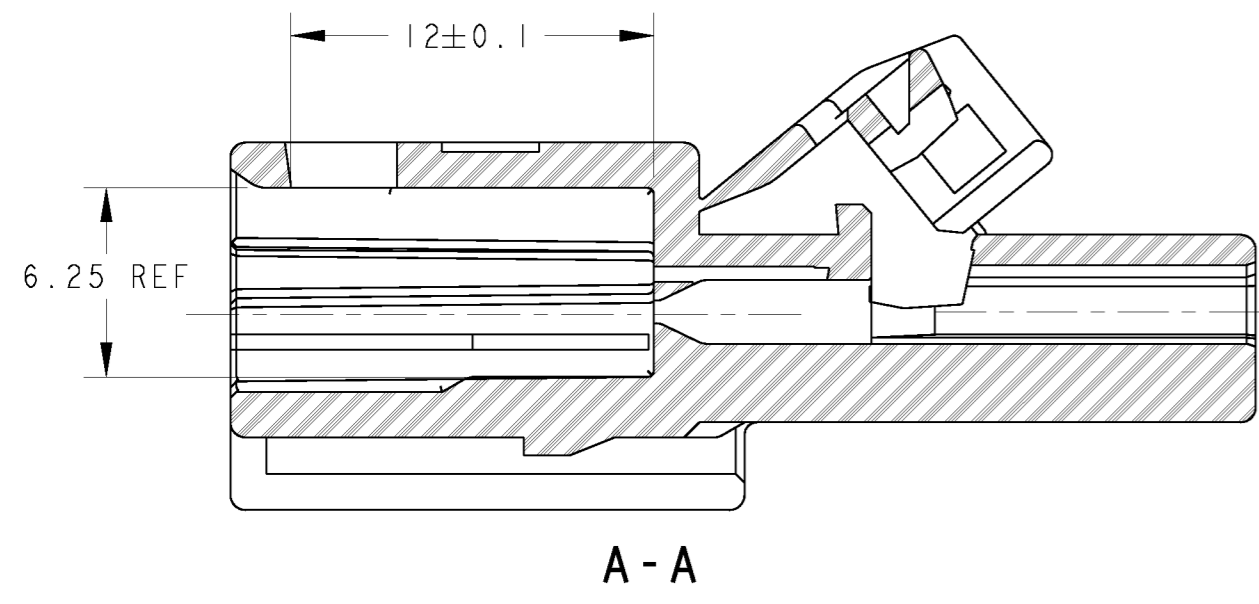


THIS DRAWING IS UNPUBLISHED. RELEASED FOR PUBLICATION 2002.11.1
 (C) COPYRIGHT 2002.11.1 ALL RIGHTS RESERVED.

LOC		DIST		REVISIONS			
P	LTR	DESCRIPTION	DATE	DWN	APVD		
P		REVISED PER ECO-11-005140	02APR2011	RK	HMR		

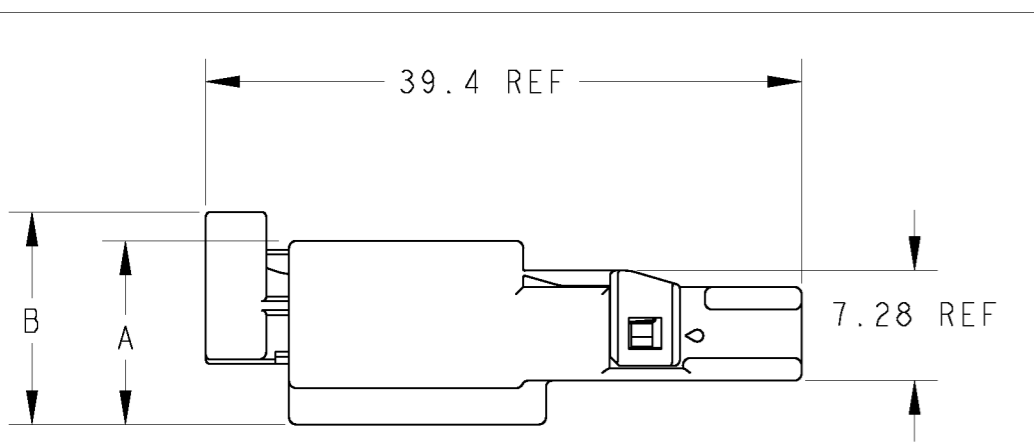


PART NO.	DIMENSION A 寸法 A	DIMENSION B 寸法 B	DIMENSION C 寸法 C	DIMENSION D 寸法 D
1612035-1	12.15 REF	14.05 REF	9.1 REF	15.7 REF
1612035-2	11.75 REF	13.65 REF	8.7 REF	15.3 REF

1. 嵌合相手品番; 1473672-1
2. 適用端子及び適用電線はTABLE-1参照
- △. 本品には、2種類のパネルロック形状がある
4. 取扱説明書NO. 411-78050

1. PART NUMBER OF PLUG HOUSING; 1473672-1
2. APPLICABLE TERMINAL AND WIRE RANGE; REFER TO TABLE-1
- △. PANEL LOCK VARIATIONS
4. INSTRUCTION SHEET NO. 411-78050

PACKING STYLE	COLOR	PANEL LOCK TYPE	PART NUMBER
PAPER BOX ダンボール箱	NATURAL	B	1612035-2
PLASTIC BAG ビニール袋	NATURAL	A	1612035-1
OUTER 外装	INNER 内装		
PACKING STYLE 梱包形態		PANEL LOCK TYPE パネルロック △	PART NUMBER 型番



ENGAGEMENT VIEW
嵌合状態図

TABLE - 1

TERMINAL	FINISH	APPLICABLE WIRE RANGE
1674742-1	TIN	AVSS/AVSSH-f CAVS/CAVUS 0.3~0.5mm ²

THIS DRAWING IS A CONTROLLED DOCUMENT.

DWN	N. YASUDA	29OCT02
CHK	T. KOHNO	29OCT02
APVD	N. SAI	29OCT02
PRODUCT SPEC	108-5787	
APPLICATION SPEC	114-5340	
WEIGHT	3.1 g	

MATERIAL: PBT, FINISH: SEE TABLE

SCALE: 4:1, SHEET 1 OF 2, REV P

CUSTOMER DRAWING

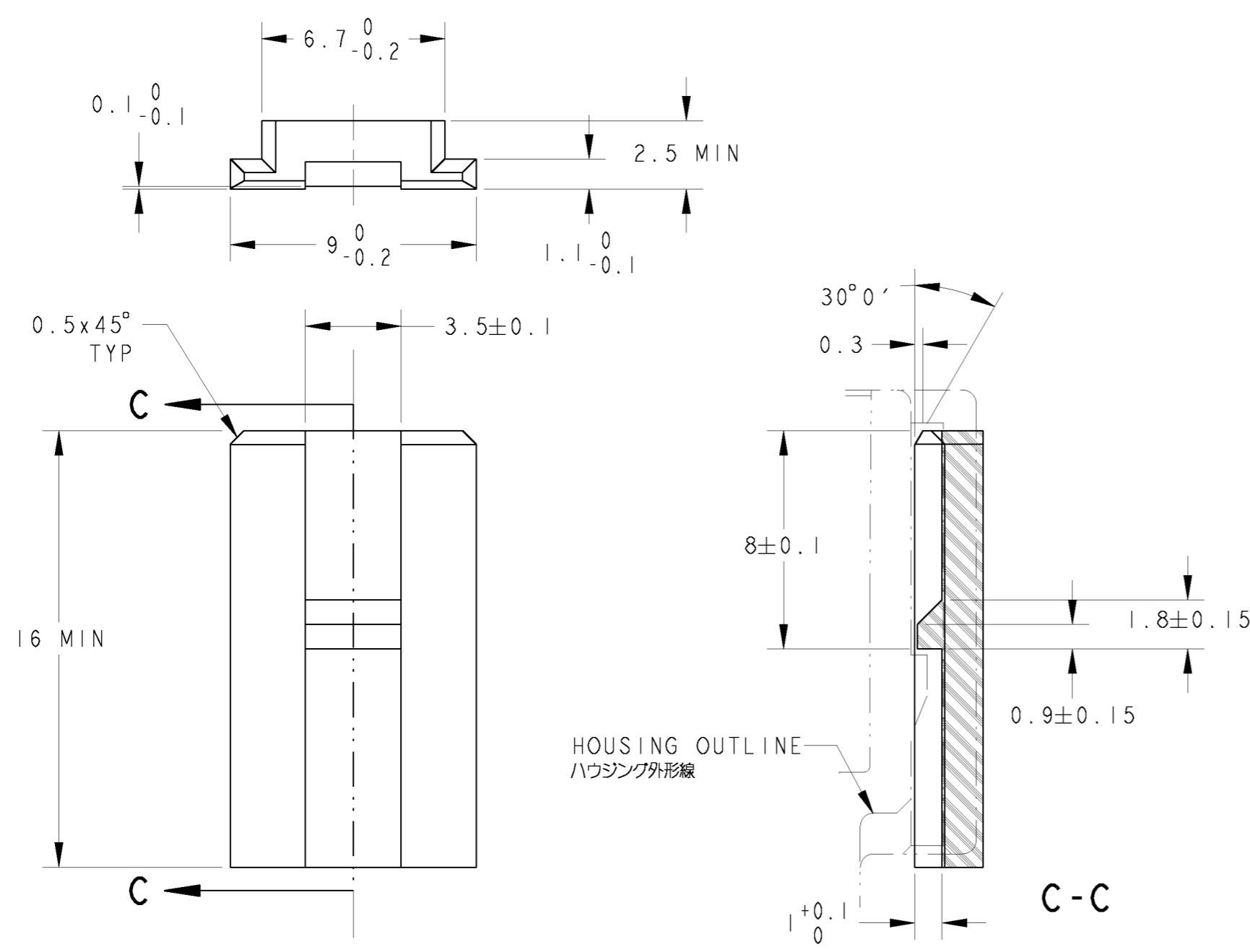
025G W-W CONNECTOR
4POS CAP HOUSING

STE TE Connectivity

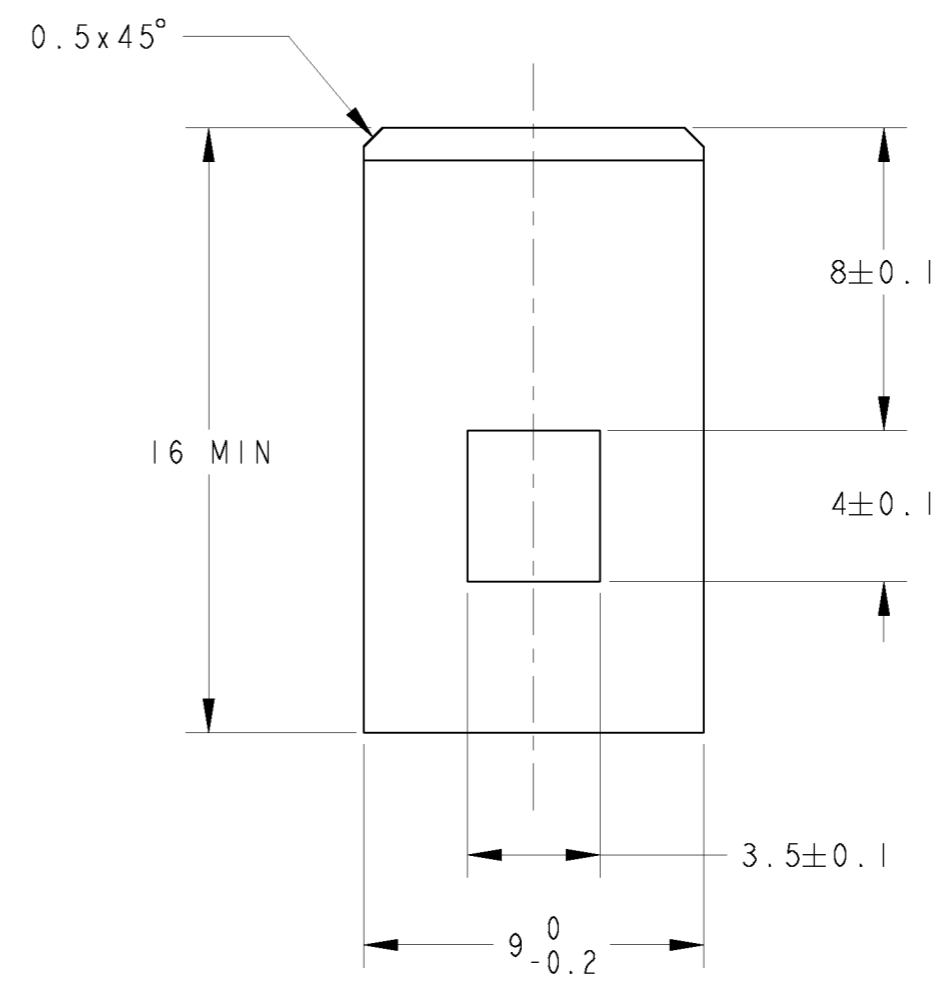
THIS DRAWING IS UNPUBLISHED. RELEASED FOR PUBLICATION 2002.11.1
 ALL RIGHTS RESERVED. COPYRIGHT 2002.11.1

LOC		DIST		REVISIONS			
P	LTR	DESCRIPTION	DATE	DWN	APVD		
-	-	SEE SHEET 1	-	-	-		

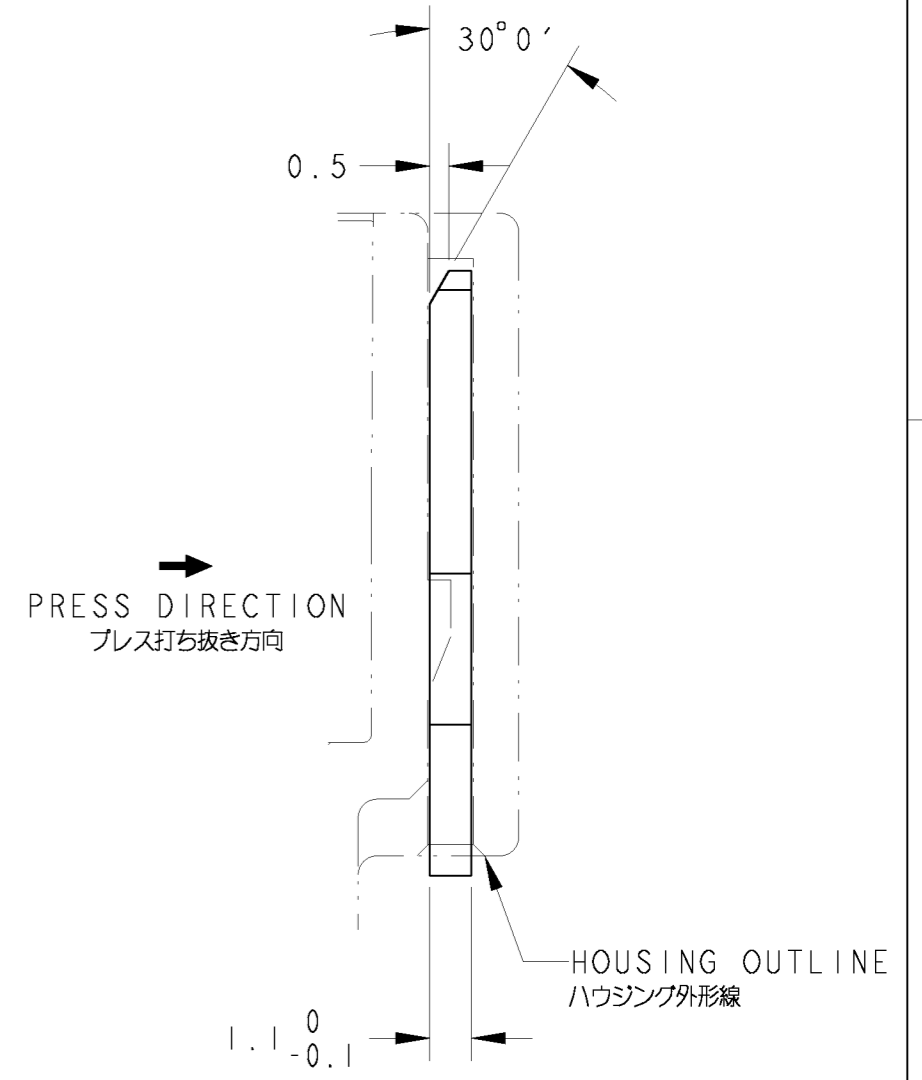
MATING TO PANEL LOCK A



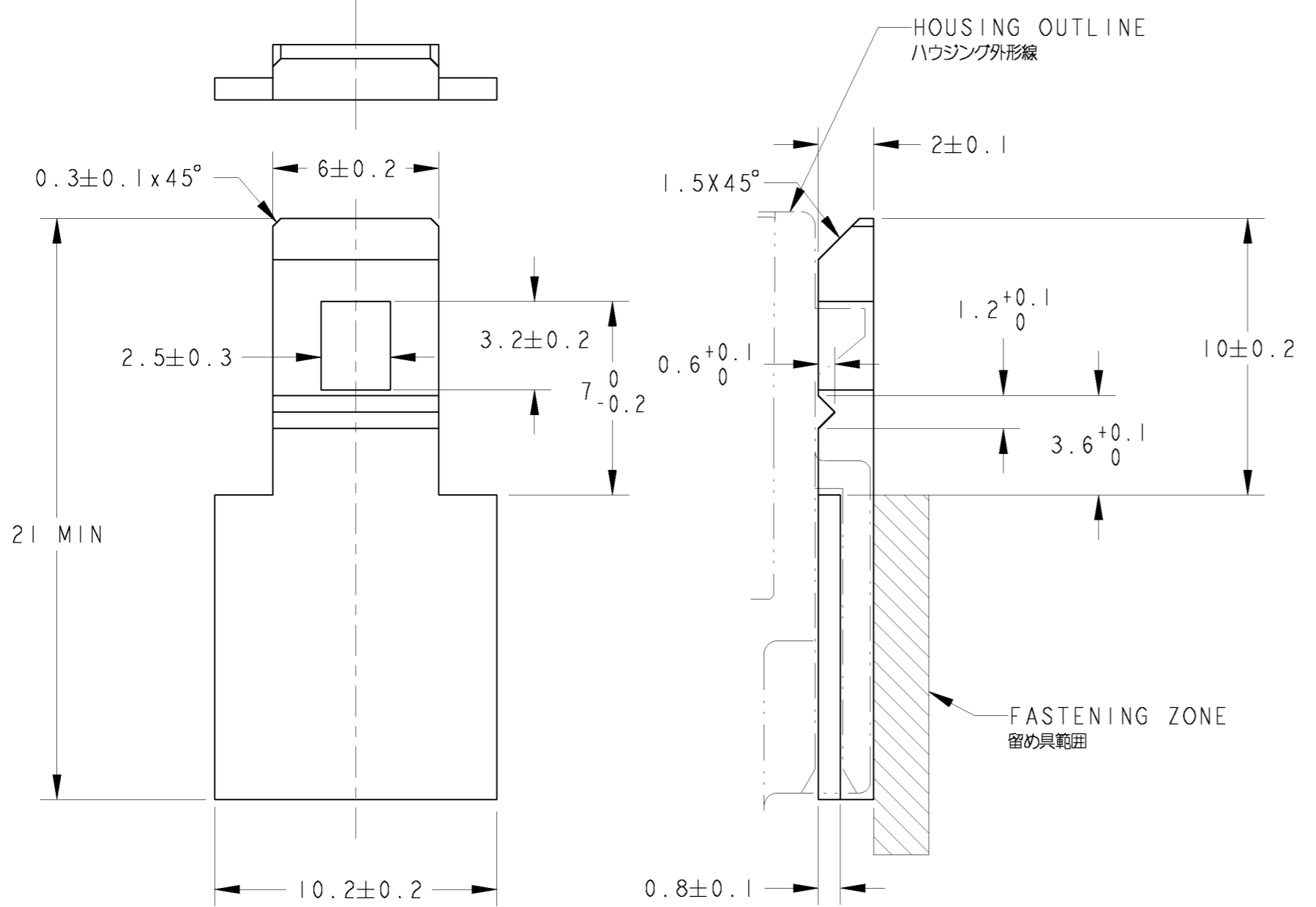
MATERIAL: PLASTIC 材料: 樹脂



MATERIAL: METAL 材料: 金属



MATING TO PANEL LOCK B



MATERIAL: PLASTIC 材料: 樹脂

THIS DRAWING IS A CONTROLLED DOCUMENT.		DWN N. YASUDA	29OCT02	 TE Connectivity	NAME 025G W-W CONNECTOR 4POS CAP HOUSING
DIMENSIONS: mm		CHK I. KOHNO	29OCT02		
TOLERANCES UNLESS OTHERWISE SPECIFIED: ±0.15		APVD N. SAI	29OCT02		
0-PLC ± 1-PLC ±0.5 2-PLC ±0.13 3-PLC ±0.013 4-PLC ±0.0001 ANGLES ±1°00' FINISH		PRODUCT SPEC SEE 1 OF 2	APPLICATION SPEC SEE 1 OF 2		
MATERIAL SEE TABLE		WEIGHT SEE 1 OF 2		SIZE A200779	DRAWING NO C-1612035
CUSTOMER DRAWING				SCALE 1:1	RESTRICTED TO SHEET 2 OF 2 REV P