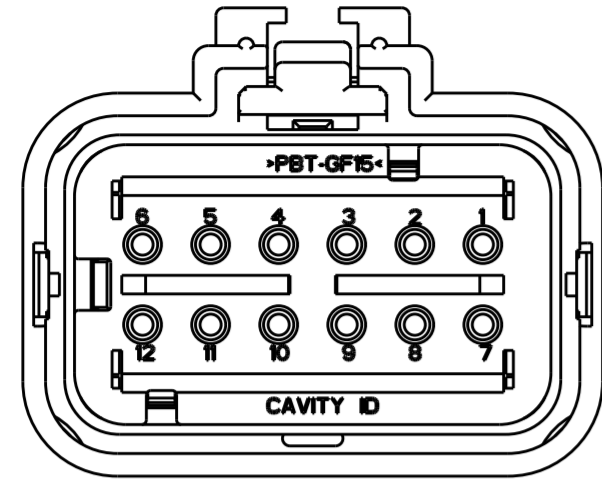
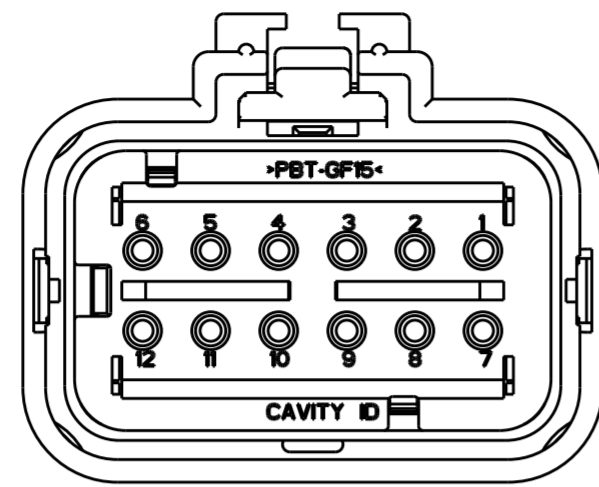


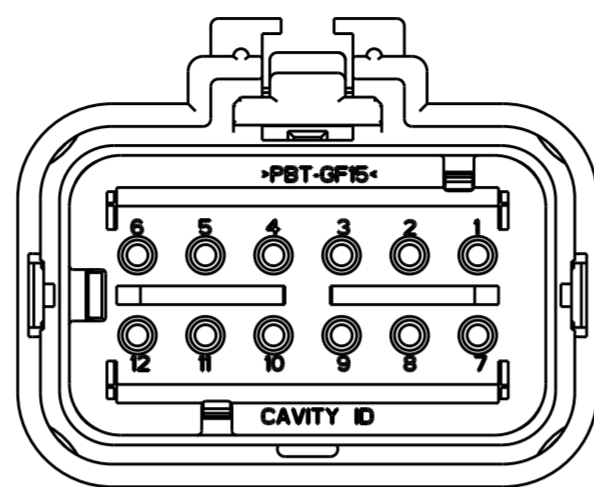
REVISIONS				
P	LTR	DESCRIPTION	DATE	APVD
F		REVISED PER ECO-13-019231	09DEC2013	DR RB



776437-2
SCALE 2:1

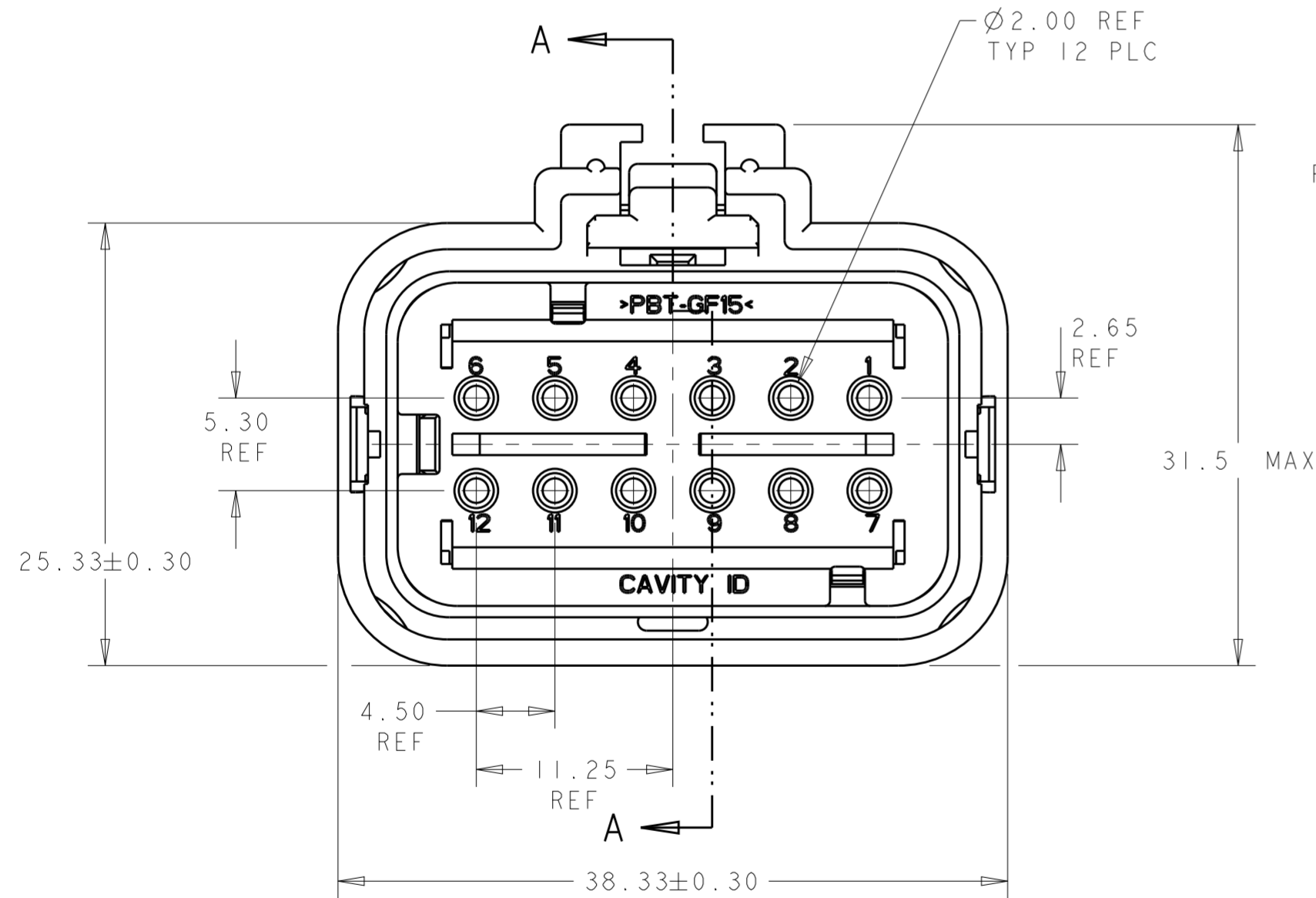


776437-3
SCALE 2:1

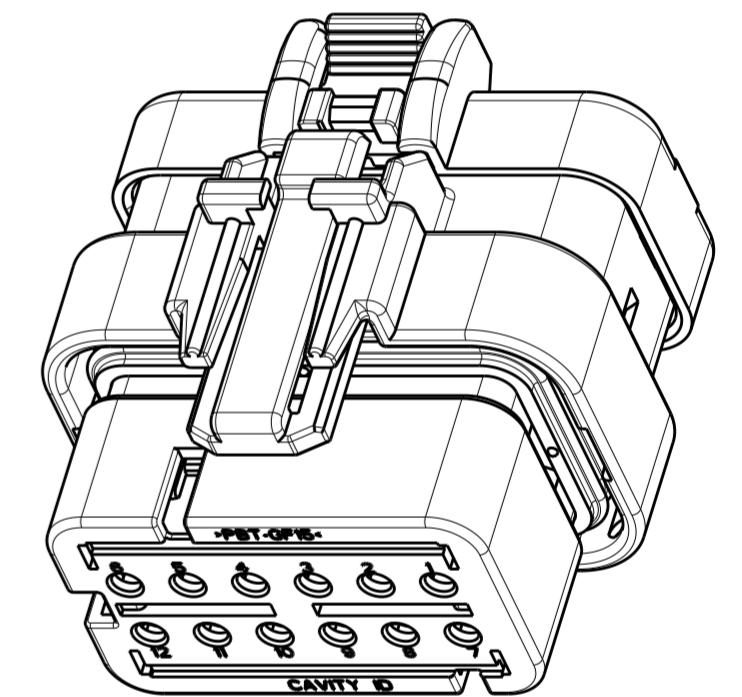
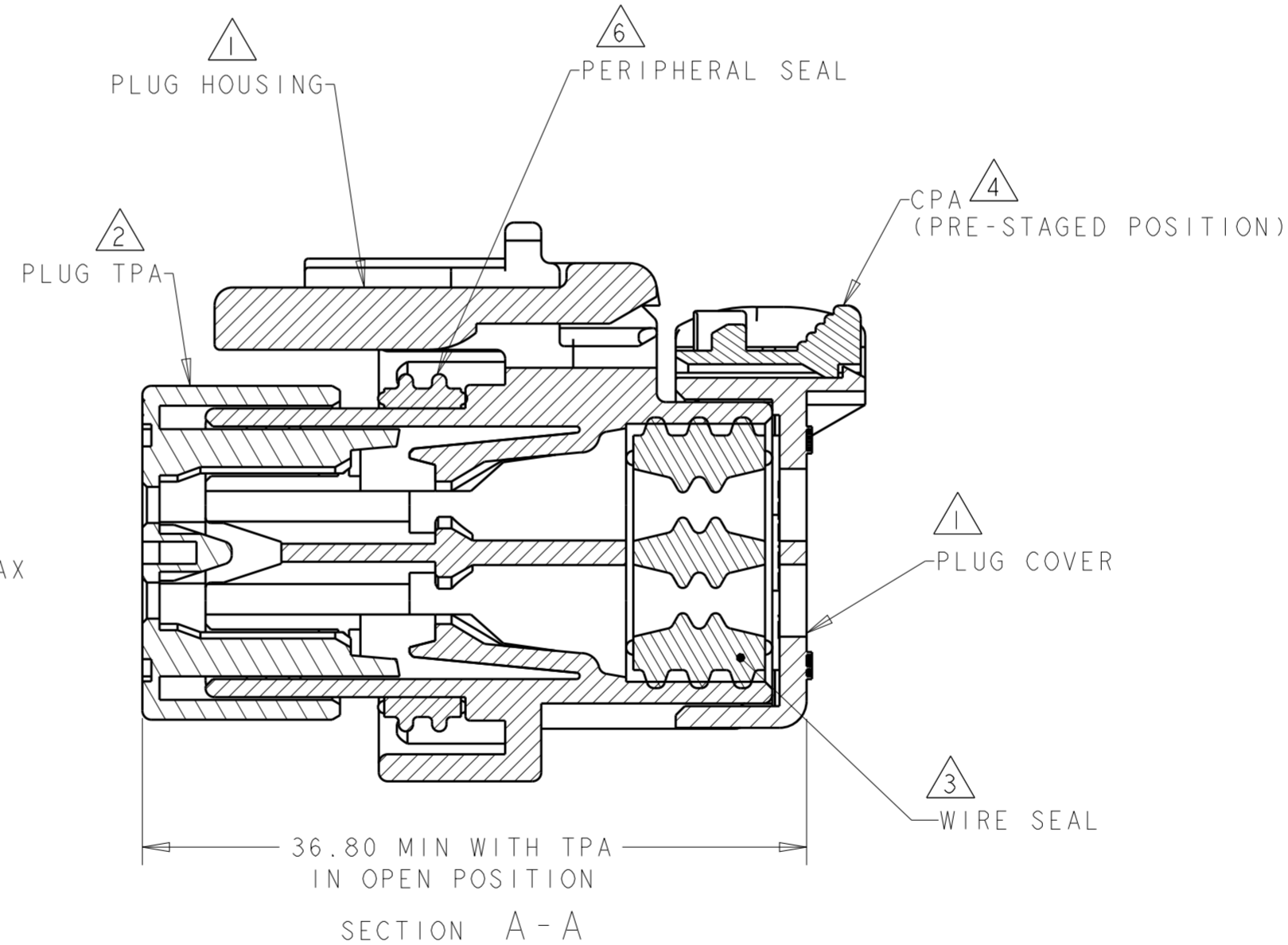


776437-4
SCALE 2:1

- 1 MATERIAL: 15% GLASS FILLED THERMOPLASTIC
COLOR: BLACK
- 2 MATERIAL: 15% GLASS FILLED THERMOPLASTIC
COLOR: (SEE TABLE)
- 3 MATERIAL: SILICONE
COLOR: GREEN
- 4 MATERIAL: 15% GLASS FILLED THERMOPLASTIC
COLOR: RED
- 5. RECOMMENDED WIRE DIAMETER RANGE IS 2.18 TO 3.67mm.
- 6 MATERIAL: SILICONE
COLOR: TAN



776437-1 SHOWN



SCALE 2:1

GREEN	776437-4
YELLOW	776437-3
GRAY	776437-2
RED	776437-1
TPA COLOR	PART NUMBER

THIS DRAWING IS A CONTROLLED DOCUMENT.		DWN AJ GRAFF 07JUN00	 TE Connectivity	NAME		
DIMENSIONS: mm		CHK R GREINER 03JAN02		PLUG ASSEMBLY, 12 POSITION, DUAL ROW, AMPSEAL 16		
TOLERANCES UNLESS OTHERWISE SPECIFIED:		APVD M TRULLI 03JAN02		SIZE	CAGE CODE	DRAWING NO
0 PLC ±	1 PLC ±	PRODUCT SPEC		A2	07779	G-776437
2 PLC ±	3 PLC ±	108-2184	RESTRICTED TO	-		
4 PLC ±	ANGLES ±	114-13065	SCALE	3:1	SHEET	
MATERIAL	FINISH	WEIGHT	20	OF	REV	
-	-	Customer Drawing	F			