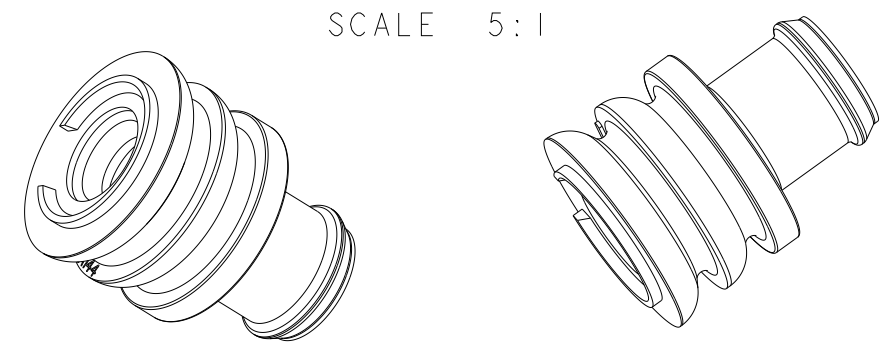
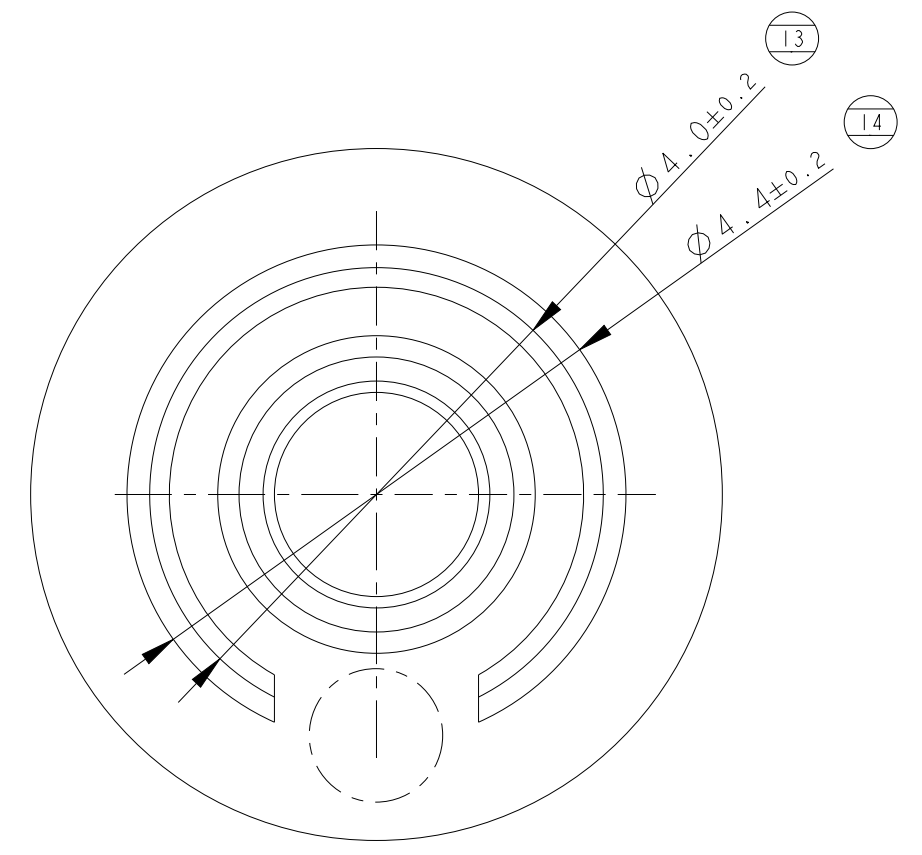
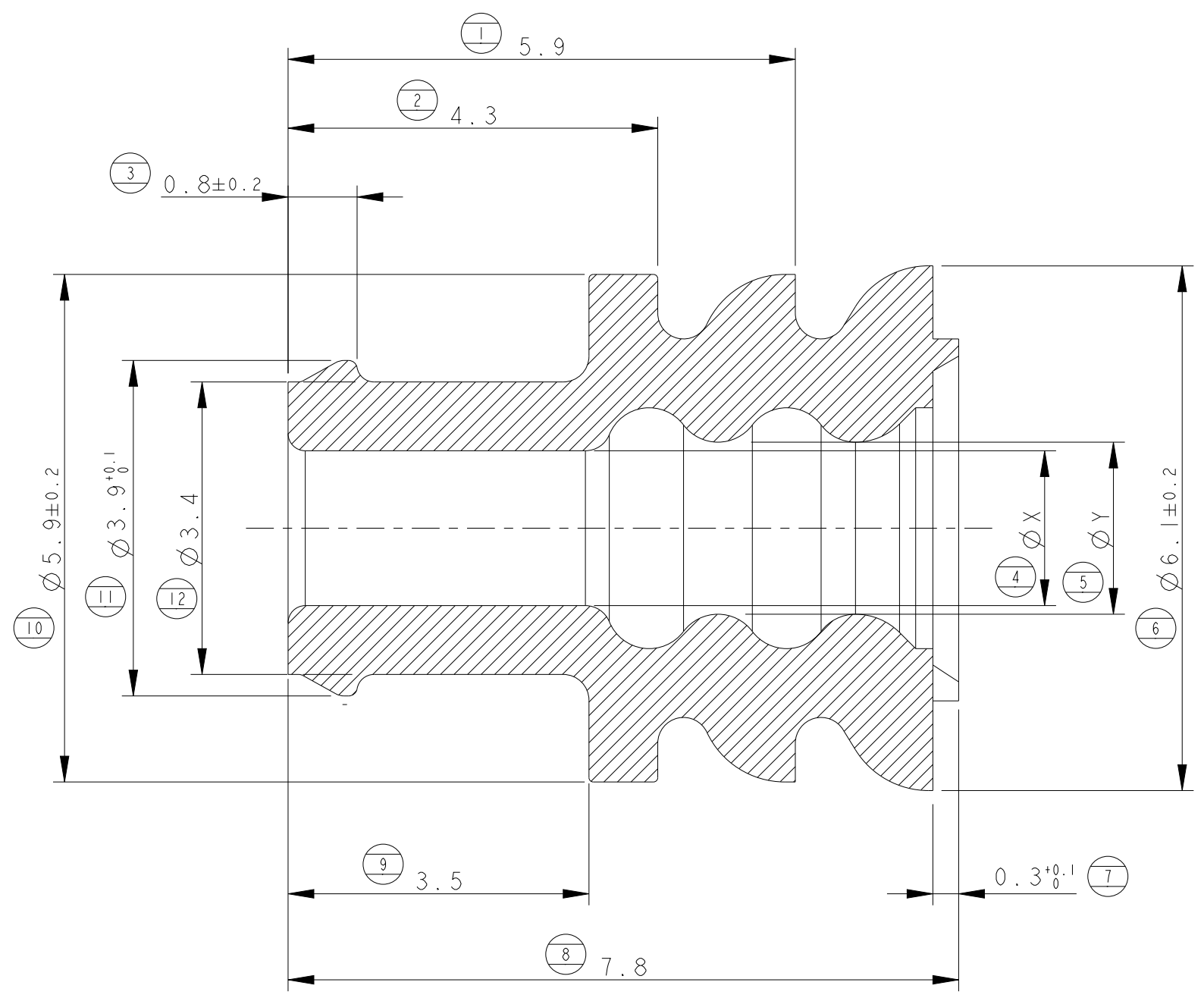


THIS DRAWING IS UNPUBLISHED. RELEASED FOR PUBLICATION 20  
 © COPYRIGHT 20 BY - ALL RIGHTS RESERVED.

REVISIONS					
P	LTR	DESCRIPTION	DATE	DWN	APVD
	H2	REDRAWN (ECR-15-005089)	09APR2015	M.G.	M.G.
	H3	ECR-23-169886	17APR2023	BV	GB

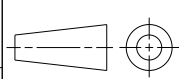


SCALE 5:1

same as 281934-2	same as 281934-2	same as 281934-2	YELLOW	LSR	H	5-281934-2	
1.2 - 1.6	1.0±0.2	1.0±0.2	WHITE	FLUORSILICONE RUBBER (FSL)	H	281934-5	
			GREEN	SILICONE RUBBER (LSR)	H	281934-4	
2.5 - 3.3	2.0±0.2	1.8±0.2	RED		H	281934-3	
1.7 - 2.4	1.4±0.2	1.4±0.2	YELLOW	H	281934-2		
<b>SUITABLE FOR INS. DIA</b>	<b>DIM. "Y"</b>	<b>DIM. "X"</b>	<b>COLOUR</b>	<b>MATERIAL</b>	<b>REV.</b>	<b>P/N</b>	

THIS DRAWING IS A CONTROLLED DOCUMENT.

DIMENSIONS: mm



MATERIAL SEE TABLE

TOLERANCES UNLESS OTHERWISE SPECIFIED:	
0 PLC	±0.3
1 PLC	±0.3
2 PLC	±-
3 PLC	±-
4 PLC	±-
ANGLES	±2°
FINISH	-

DWN	C. BERTINI	12-'88
CHK	A. BRUNI	05-'92
APVD	-	-
PRODUCT SPEC	-	-
APPLICATION SPEC	-	-
WEIGHT	-	-
Customer Drawing		

		TE Connectivity	
		NAME SINGLE WIRE SEAL	
SIZE	A3	CAGE CODE	-
DRAWING NO	C-281934	RESTRICTED TO	-
SCALE	15:1	SHEET	1 OF 1
REV	H3		