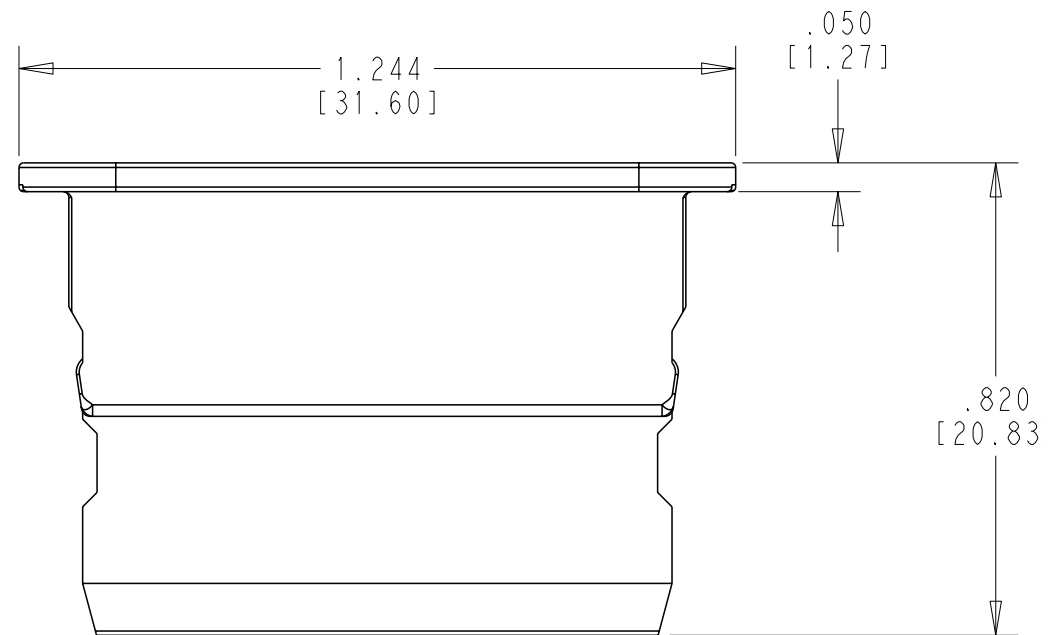
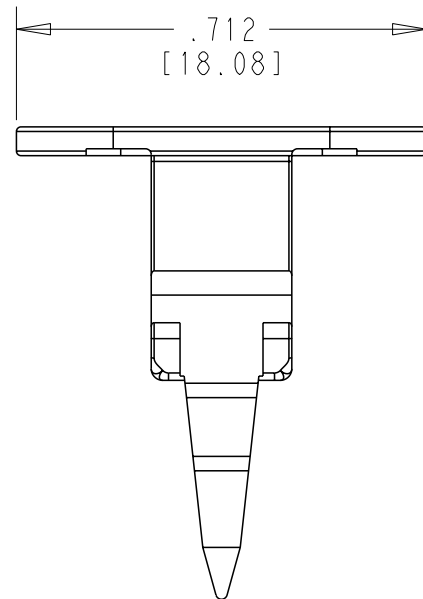
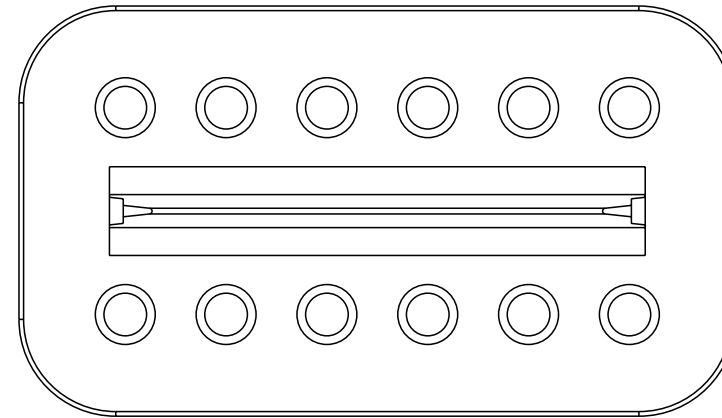


REVISIONS

P	LTR	DESCRIPTION	DATE	DWN	APVD
C		REVISED/REDRAWN PER E.O. P17352	23JUL2001	RDR	RDR
D		REVISED PER E.O. P18147	27MAY2003	RDR	RDR
E		REVISED PER E.O. P19120	16DEC2005	RDR	RDR
G		REVISED PER PCN-23-190134	05OCT2023	GB	CB



1. THIS WEDGE MATES WITH DT06-12SX-XXXX (X = ALL KEYS, XXXX = ALL MODIFICATIONS). CONSULT FACTORY FOR MODIFICATIONS.

NOTES:

THIS DRAWING IS A CONTROLLED DOCUMENT.		DWN X. SANCHEZ	11 JUL 2001		
DIMENSIONS: INCHES [mm]		CHK -	APVD -		
TOLERANCES UNLESS OTHERWISE SPECIFIED:		PRODUCT SPEC 108-151009		RESTRICTED TO -	
		APPLICATION SPEC 114-151009		SIZE A3	CAGE CODE 00779
MATERIAL PBT GF30 ORANGE		WEIGHT 2 g		DRAWING NO G-W12S	SCALE 3:1
FINISH -		CUSTOMER DRAWING		SHEET 1 OF 1	REV G

printed on 23 Oct 2023 15:55 (Eastern Standard Time) from TE354946