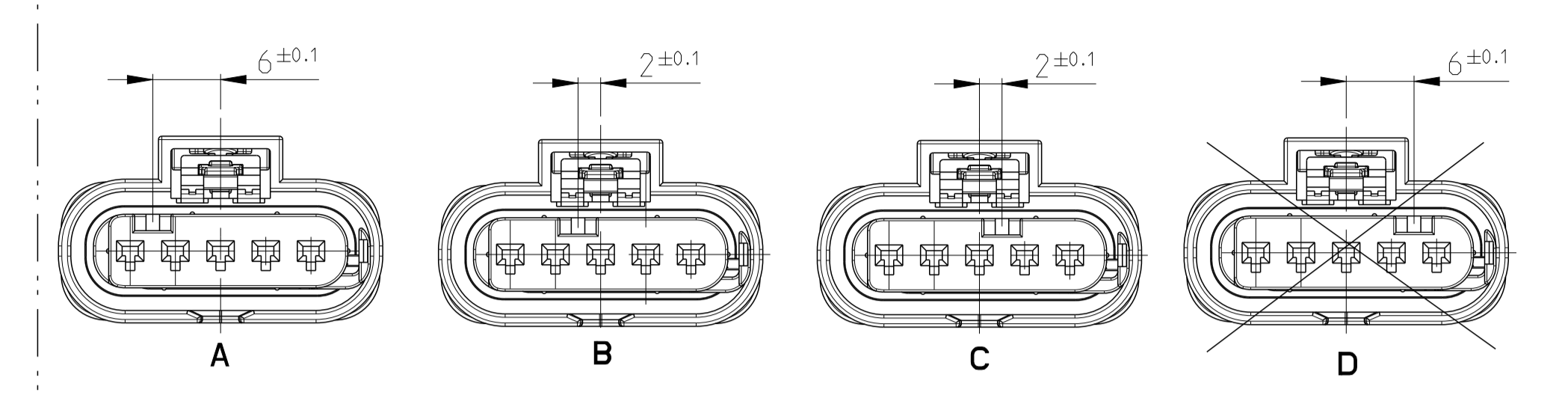


**CODINGS  
Kodierungen  
M 2:1**



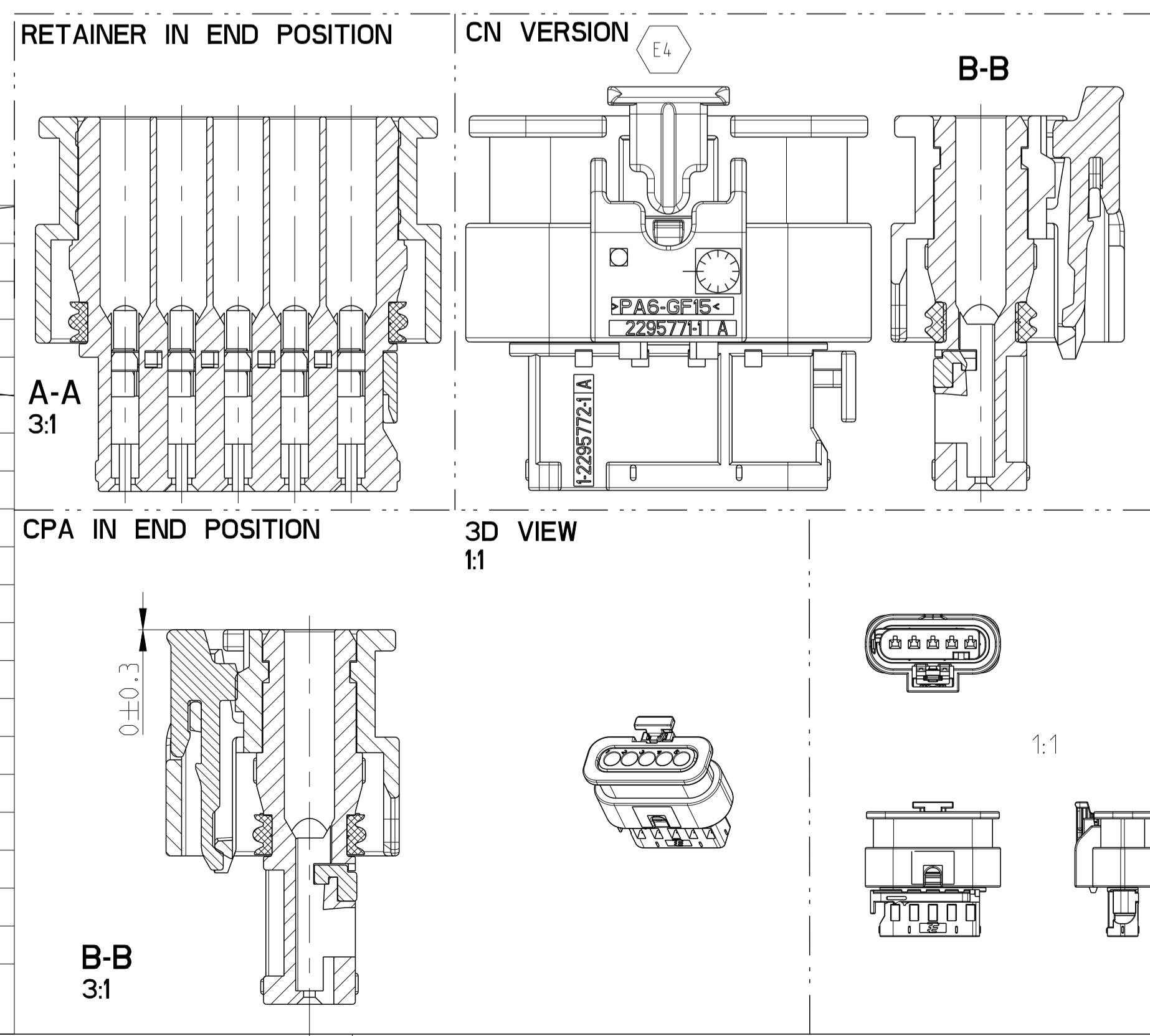
REVISIONS				
P	LTN	DESCRIPTION	DATE	OWN APVD
E1	3-1718806-1	ADDED TO BOM	22JUN2017	SZN RT
E2		LASERPRINT UPDATED WITH CN MANUF	13FEB2018	SZN RT
E3		DIVERGENT VERSION ADDED	10AUG2018	LSZ SZN
E4		LASER PRINT UPDATED WITH CN LOCATION	06AUG2019	SZN LSZ

**NOTES:**  
Bemerkungen:

- ONLY THE GERMAN LANGUAGE VERSION IS AUTHORITATIVE  
Massgebend ist nur der deutsche Text
- AREA FOR PRINT  
Bereich für Bedruckung.
- USABLE CONTACTS MCON 1.2  
SEE TE Connectivity -NO. 1452674, VERSION SINGLE WIRE SEAL  
Verwendbare Kontakte MCON 1.2  
siehe TE Connectivity -Zeichnung 1452674, Ausfuehrung Einzeldichtung
- MAX. WIRE SIZE RANGE 1.0 mm<sup>2</sup> FLR PERMITTED  
FOR CAVITY-Ø 3.55MM  
QUANTITY SEE WIRE HARNESS DRAWING  
FOR PERMISSIBLE CURRENT CARRYING CAPACITY OF THE SINGLE CONTACT  
SEE PRODUCT SPECIFICATION NO.108-18782  
max. zulaessiger Leitungsquerschnitt 1,0 mm<sup>2</sup> FLR,  
für Kammer-Ø 3,55mm  
die Stueckzahl ist im Leitungssatz festgelegt  
die zulaessige Strombelastbarkeit für die einzelnen Kontakte ist  
der Spezifikation 108-18782 zu entnehmen
- SUPPLIER-MARK  
Lieferantenkennzeichnung
- SPACE OF ACTIVITY  
Beteiligungsraum
- SUPPLY CONDITION: CPA IN PRELOCKED POSITION  
Auslieferungszustand: Gehauesesicherung in Vorraststellung
- SUPPLY CONDITION: RETAINER IN PRELOCKED POSITION  
Auslieferungszustand: Zweite Kontaktsicherung in Vorraststellung
- WARPAGE PERMITTED TO MAX. -0.5mm  
Verzug zulaessig bis max. -0.5mm
- TE Connectivity ORDER-NO.  
TE Connectivity Bestell-Nr.
- ACCORDING TO INTERFACE DRAWING  
SEE TE-NO. 114-18679-3  
Passend zur Schnittstellen-Zeichnung  
siehe TE-Nr. 114-18679-3
- ASSEMBLY LINE SEGMENT IDENTIFICATION  
Markierung für Segment der Assembly Anlage
- DATE CODE (DDYY)  
Datum Kodierung (TTJJ)
- OPTIONAL-DIVERGENT MARKING FOR PARTS FROM CHINESE AND U.S. PRODUCTION  
Abweichende Beschriftung zulaessig fuer Teile aus China und U.S.  
Produktion.

CODING A AS SHOWN  
Kodierung A wie gezeichnet

TE-ORDER-NO.	COD	TITLE	REV	QTY	TITLE	MATERIAL	SURFACE/COLOUR	ITEM
4-1718806-1	D	5pos. MCON 1.2 - LL Connector, Sealed	D	1	MCON 1.2 - CPA	PA46-GF15	GRAY SIML. TO RAL 7037	5
				1	5pos. MCON 1.2 - Seal	MVQ-30	NATURE	4
				1	5pos. MCON 1.2 - Retainer	PA66-GF15	VIOLETT SIML. TO RAL 4006	3
				1	5pos. MCON 1.2 - Protec. Cover	PA6-GF15	VIOLETT SIML. TO RAL 9011	2
				1	5pos. MCON 1.2 - Recept. Hsg	PA66-GF30	GRAY SIML. TO RAL 4004	1
3-1718806-1	C	5pos. MCON 1.2 - LL Connector, Sealed	E	1	MCON 1.2 - CPA	PA46-GF15	GRAY SIML. TO RAL 7037	5
				1	5pos. MCON 1.2 - Seal	MVQ-30	NATURE	4
				1	5pos. MCON 1.2 - Retainer	PA66-GF15	VIOLETT SIML. TO RAL 4006	3
				1	5pos. MCON 1.2 - Protec. Cover	PA6-GF15	VIOLETT SIML. TO RAL 9011	2
				1	5pos. MCON 1.2 - Recept. Hsg	PA66-GF30	BLUE SIML. TO RAL 5012	1
2-1718806-1	B	5pos. MCON 1.2 - LL Connector, Sealed	E	1	MCON 1.2 - CPA	PA46-GF15	GRAY SIML. TO RAL 7037	5
				1	5pos. MCON 1.2 - Seal	MVQ-30	NATURE	4
				1	5pos. MCON 1.2 - Retainer	PA66-GF15	VIOLETT SIML. TO RAL 4006	3
				1	5pos. MCON 1.2 - Protec. Cover	PA6-GF15	BLACK SIML. TO RAL 9011	2
				1	5pos. MCON 1.2 - Recept. Hsg	PA66-GF30	NATURE	1
1-1718806-1	A	5pos. MCON 1.2 - LL Connector, Sealed	E	1	MCON 1.2 - CPA	PA46-GF15	GRAY SIML. TO RAL 7037	5
				1	5pos. MCON 1.2 - Seal	MVQ-30	NATURE	4
				1	5pos. MCON 1.2 - Retainer	PA66-GF15	VIOLETT SIML. TO RAL 4006	3
				1	5pos. MCON 1.2 - Protec. Cover	PA6-GF15	BLACK SIML. TO RAL 9011	2
				1	5pos. MCON 1.2 - Recept. Hsg	PA66-GF30	BLACK SIML. TO RAL 9011	1



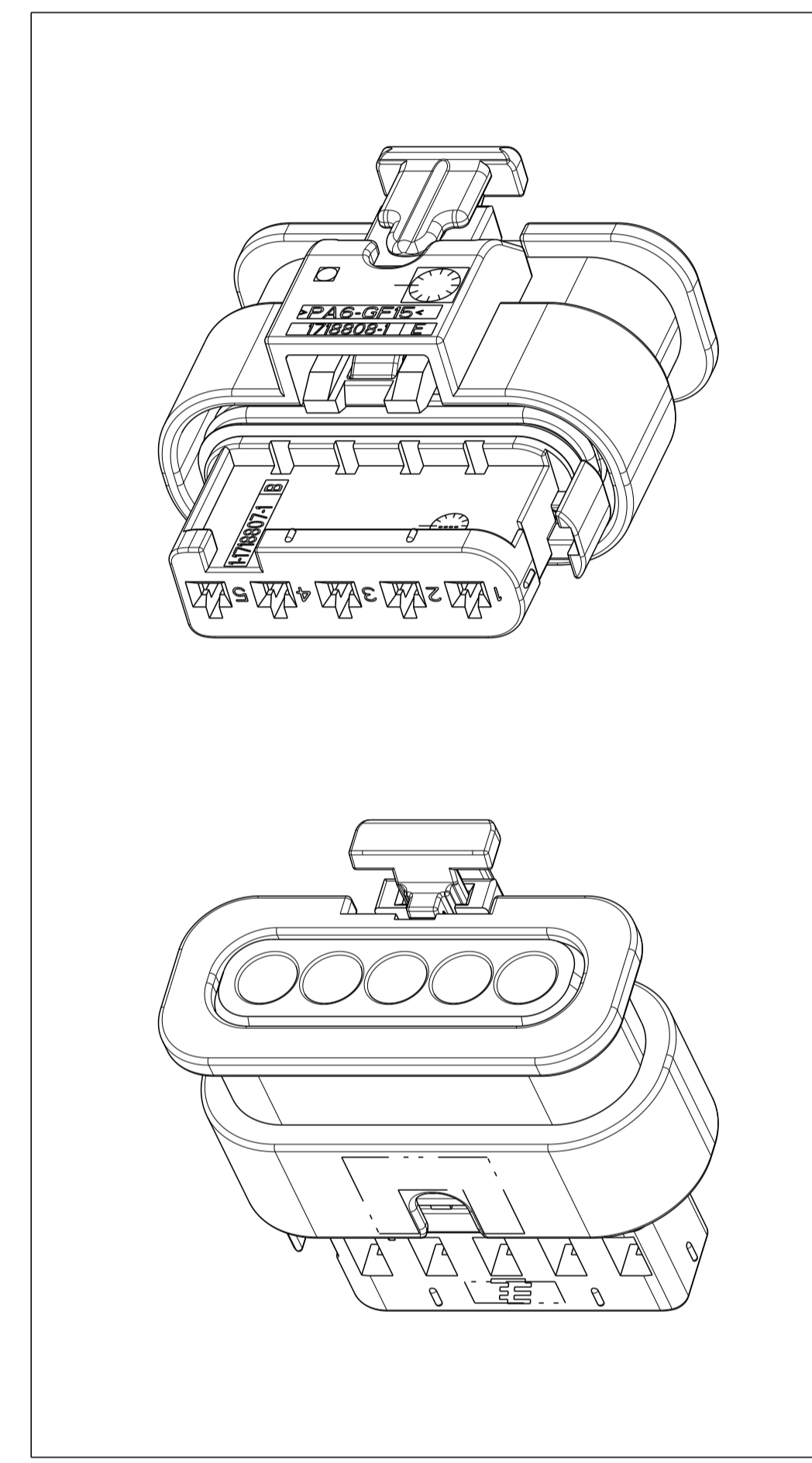
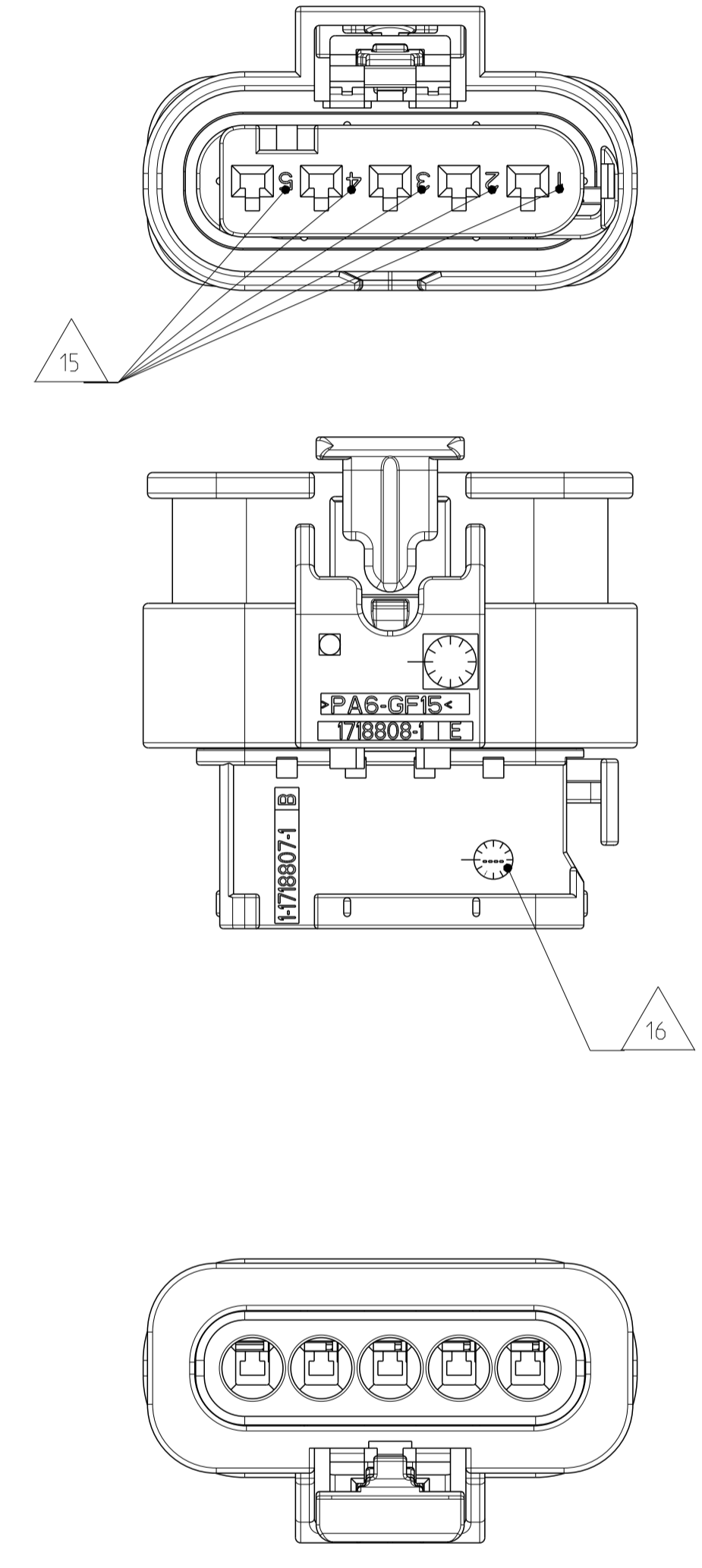
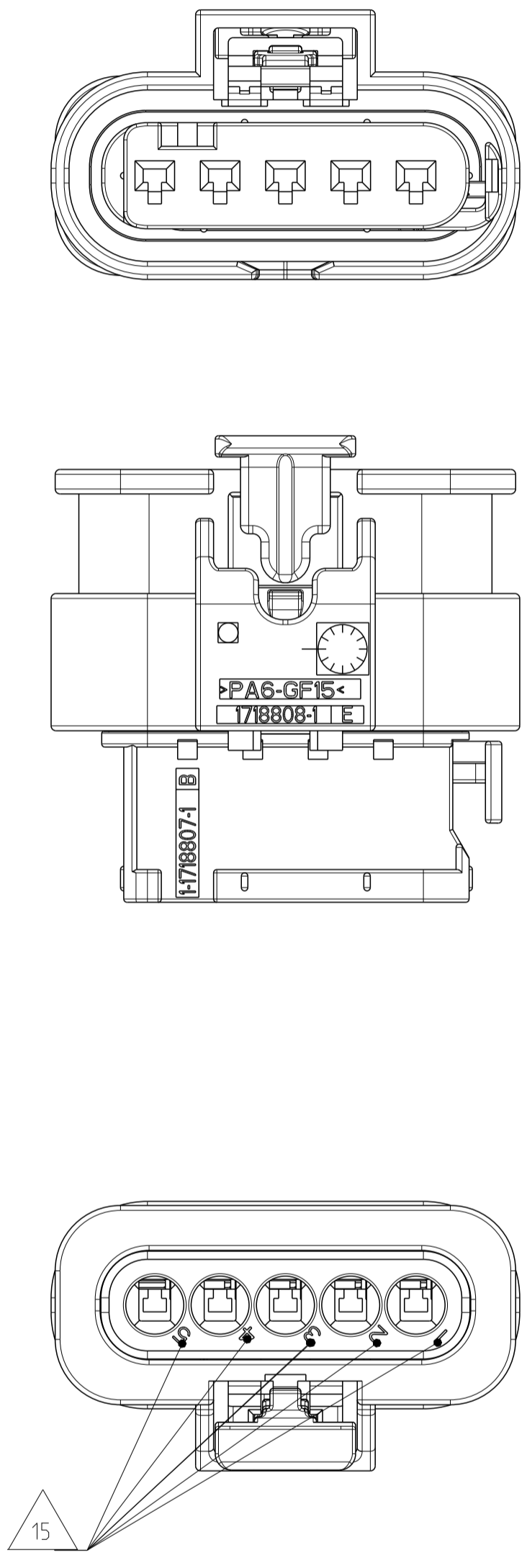
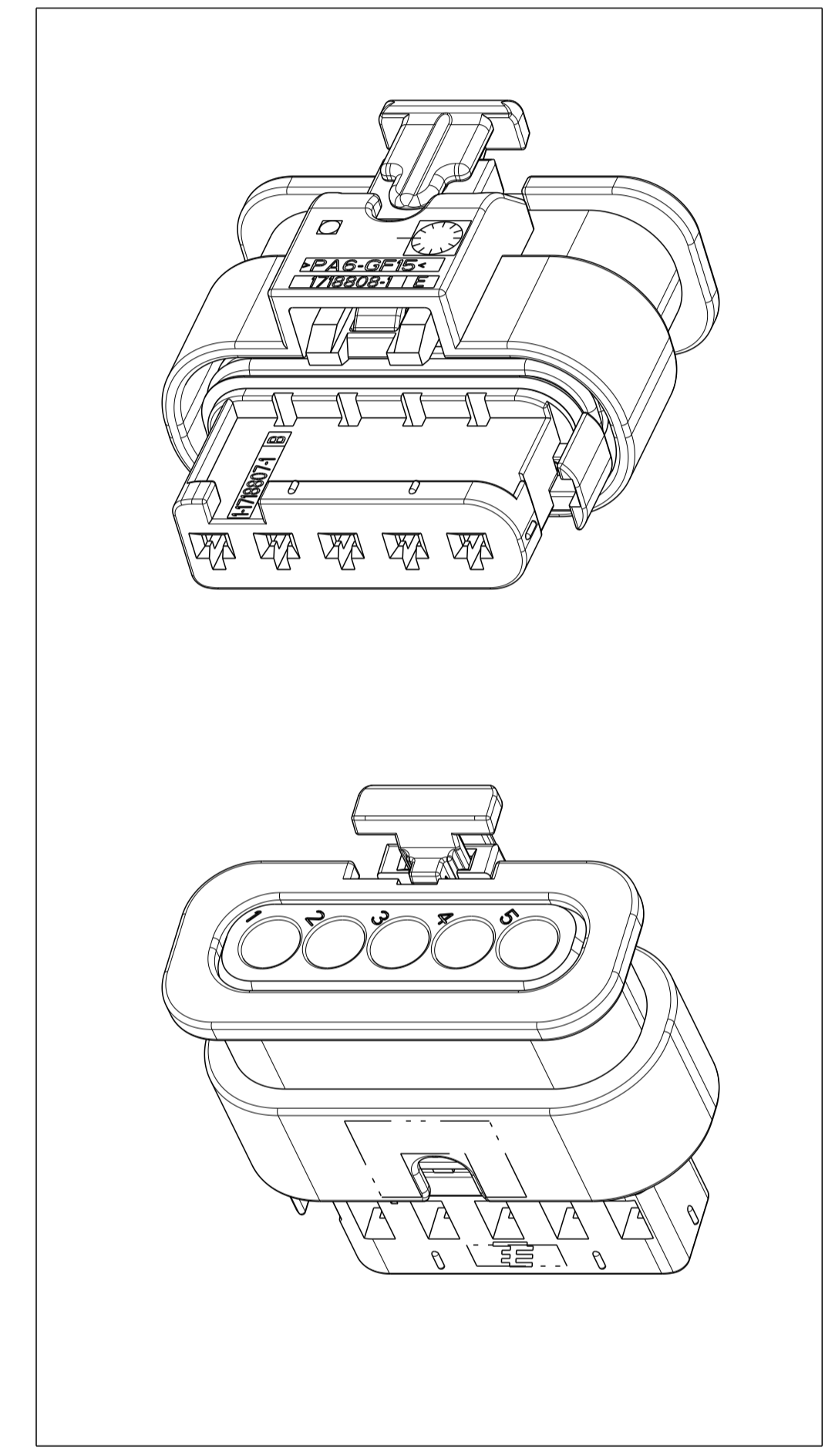
TOLERANCES UNLESS OTHERWISE SPECIFIED ACC. TO DIN 16901-140. CENTRIC TO NOMINAL DIMENSION. EDITION 1982-11 SHALL APPLY. Freimessstoleranzen nach DIN 16901-140. Es gilt die Ausgabe 1982-11.		THIS DRAWING IS A CONTROLLED DOCUMENT.		OWN: G. Roth 09AUG2018	NAME: 5pos. MCON 1.2 LL Connector, Sealed
DIMENSIONS: mm		TOLERANCES UNLESS OTHERWISE SPECIFIED		CHEK: A. Schraebel 17FEB2005	
0 PLC ±0.15		1 PLC ±0.1		PRODUCT SPEC: 108-18969	SIZE: A1
2 PLC ±0.13		3 PLC ±0.1		APPLICATION SPEC: 114-18861	CAGE CODE: 00779
4 PLC ±0.013		5 PLC ±0.0001		WEIGHT: -	DRAWING NO: C=1718806
MATERIAL: TBD		FINISH: -		CUSTOMER DRAWING	RESTRICTED TO: 4
SCALE: 4:1		SHEET: 1 OF 2		REV: E4	

REVISIONS				
P.	LTN	DESCRIPTION	DATE	APVD
		SEE SHEET 1		

**E3** Divergent marking for parts from various tools 3:1

Version 1

**E3** Version 2



- E3** 15 Contact cavity marking
- 16 Date clock for inner housing

DIMENSIONS: mm		TOLERANCES UNLESS OTHERWISE SPECIFIED: 0 PLC ±0.5 1 PLC ±0.13 2 PLC ±0.075 3 PLC ±0.05 4 PLC ±0.025 ANGLES ±0.0001 FINISH		THIS DRAWING IS A CONTROLLED DOCUMENT. DWN G. Roth 17FEB2005 CHK A. Schraebel 17FEB2005 APVD		NAME 5pos. MCON 1.2 LL Connector, Sealed	
MATERIAL TBD		FINISH		PRODUCT SPEC APPLICATION SPEC		SIZE CAGE CODE DRAWING NO A1 00779 C=1718806	
CUSTOMER DRAWING		WEIGHT		RESTRICTED TO		SCALE 4:1 SHEET 2 OF 2 REVE 4	