

4

3

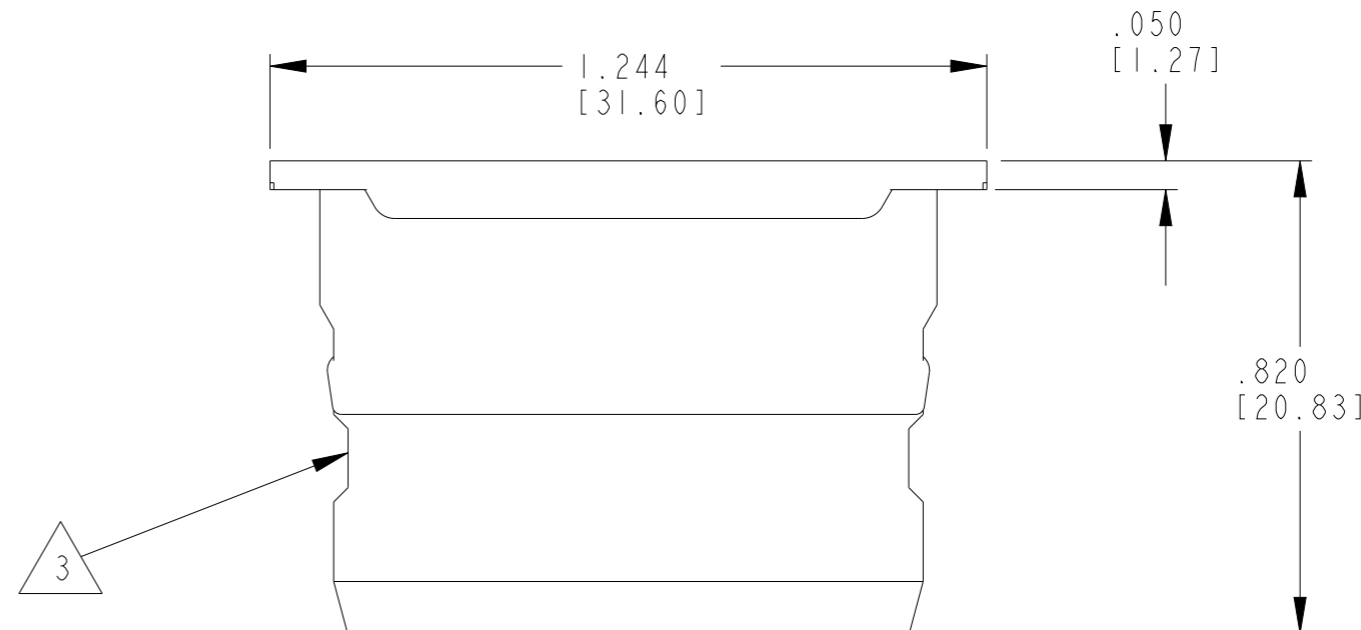
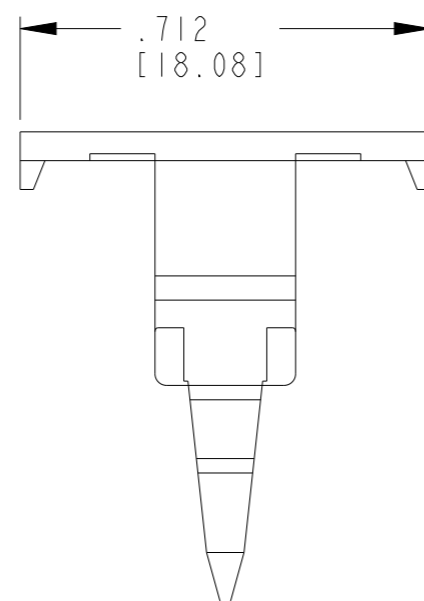
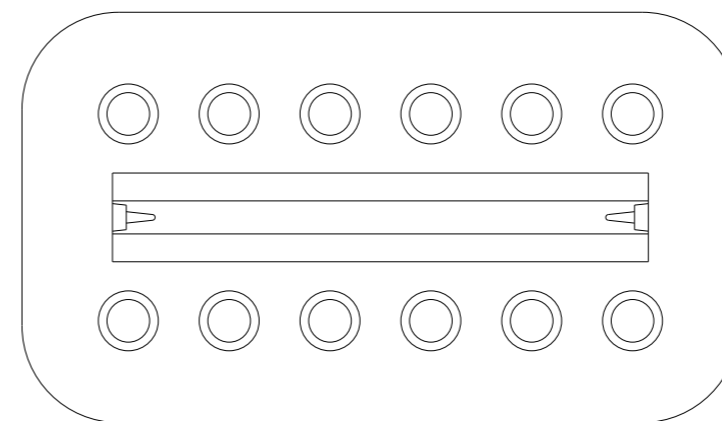
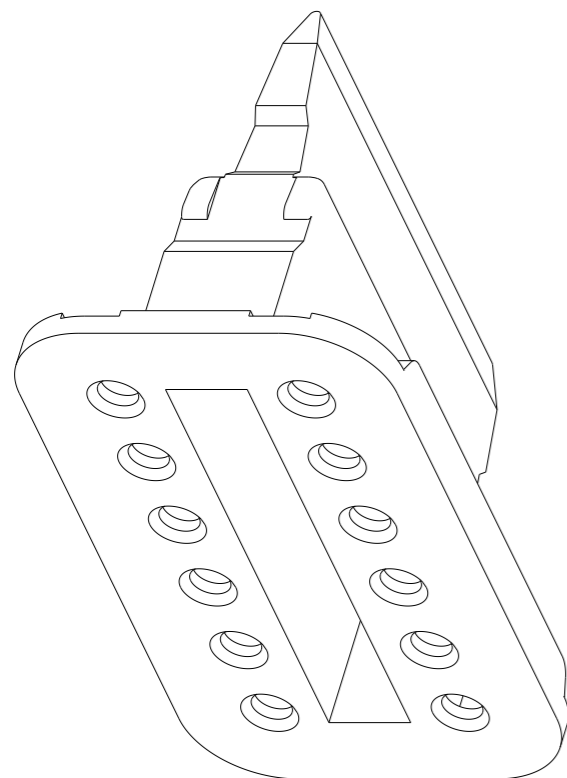
2

1

© 2023 TE Connectivity. All Rights Reserved.

REVISIONS

P	LTR	DESCRIPTION	DATE	DWN	APVD
	E	REVISED PER PCN-23-190134	29SEP2023	GB	CB



3. CUTOUT FEATURE OPTIONAL, 2 PLACES.

2. USED WITH DT06-12SX-XXXX PLUG
(X = A,B,C,D KEY; XXXX = ALL MODIFICATIONS)

1. CONSULT FACTORY FOR APPLICATION.

THIS DRAWING IS A CONTROLLED DOCUMENT.		DWN J. WOODY 08DEC1998																		
DIMENSIONS: INCHES [mm]		CHK B. BAYFORD 14NOV2008																		
TOLERANCES UNLESS OTHERWISE SPECIFIED:		APVD -	NAME WEDGELOCK FOR 12 WAY PLUG DT SERIES																	
<table border="0"> <tr><td>0 PLC</td><td>±</td></tr> <tr><td>1 PLC</td><td>±</td></tr> <tr><td>2 PLC</td><td>±</td></tr> <tr><td>3 PLC</td><td>±.025 [0.63]</td></tr> <tr><td>4 PLC</td><td>±</td></tr> <tr><td>ANGLES</td><td>±</td></tr> <tr><td>FINISH</td><td>-</td></tr> </table>		0 PLC	±	1 PLC	±	2 PLC	±	3 PLC	±.025 [0.63]	4 PLC	±	ANGLES	±	FINISH	-	PRODUCT SPEC 108-151009	SIZE A3	CAGE CODE 00779	DRAWING NO G-W12S-P012	RESTRICTED TO -
0 PLC	±																			
1 PLC	±																			
2 PLC	±																			
3 PLC	±.025 [0.63]																			
4 PLC	±																			
ANGLES	±																			
FINISH	-																			
MATERIAL PBT GF30 GREEN		APPLICATION SPEC 114-151009	WEIGHT 2.627g	CUSTOMER DRAWING; RESTRICTED CUSTOMER		SCALE 3:1	SHEET 1 OF 1	REV E												