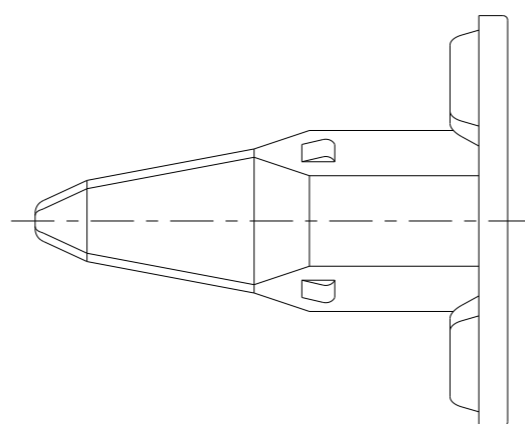
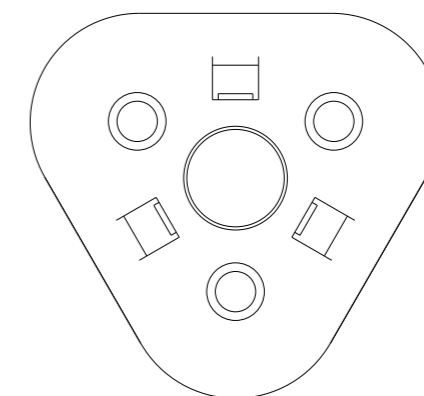
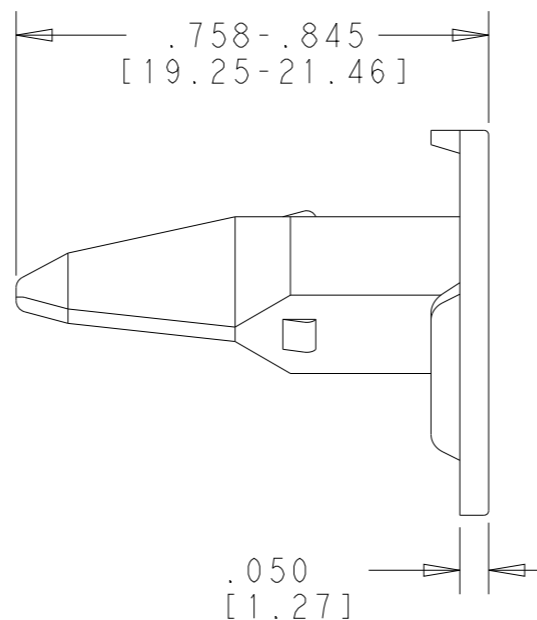
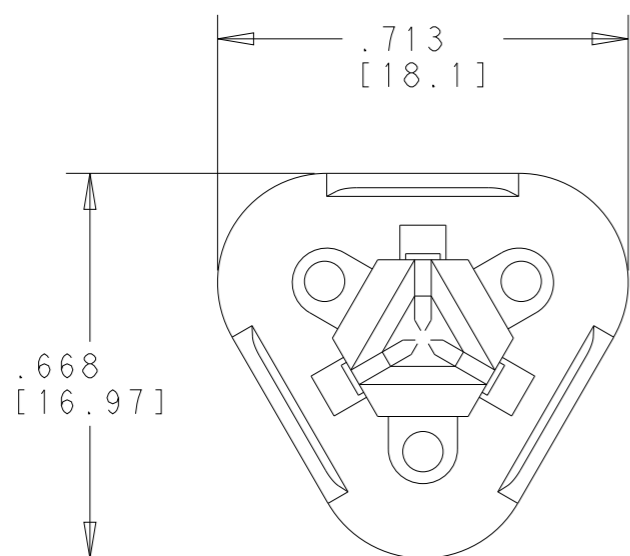


REVISIONS

P	LTR	DESCRIPTION	DATE	DWN	APVD
	C	REVISED PER PCN E-17-001289	16JAN2017	CM	DM
	F	REVISED PER PCN-23-190134	29SEP2023	GB	BC



TE INTERNAL PN	DEUTSCH PN
W3S-P012	W3S-P012

2. MATERIAL: PBT 30% GF (GREEN)

1. THIS WEDGE MAY BE USED WITH DT06-3S-XXXX PLUG (XXXX = ALL MODIFICATIONS). CONSULT FACTORY FOR MODIFICATION AND APPLICATION.

NOTES:

THIS DRAWING IS A CONTROLLED DOCUMENT.		DWN	R. OCHOA	14OCT1998				NAME WEDGE LOCK FOR 3-PIN PLUG RETENTION TYPE D.T. SERIES	
DIMENSIONS: INCHES [mm]		CHK	B. BYFORD	01DEC2005					
TOLERANCES UNLESS OTHERWISE SPECIFIED:		APVD	S. BEARD	29NOV2005					
0 PLC ± 1 PLC ± 2 PLC ± 3 PLC ±.025 [0.64] 4 PLC ± ANGLES ±0°30'0"		PRODUCT SPEC	108-151009						
MATERIAL	2	FINISH	-		APPLICATION SPEC	114-151009		SIZE	A3
		WEIGHT	1.03 g		CAGE CODE	4AFU8		DRAWING NO	W3S-P012
		CUSTOMER DRAWING			RESTRICTED TO			SCALE	3:1
					SHEET	1 OF 1		REV	F